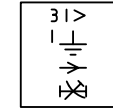
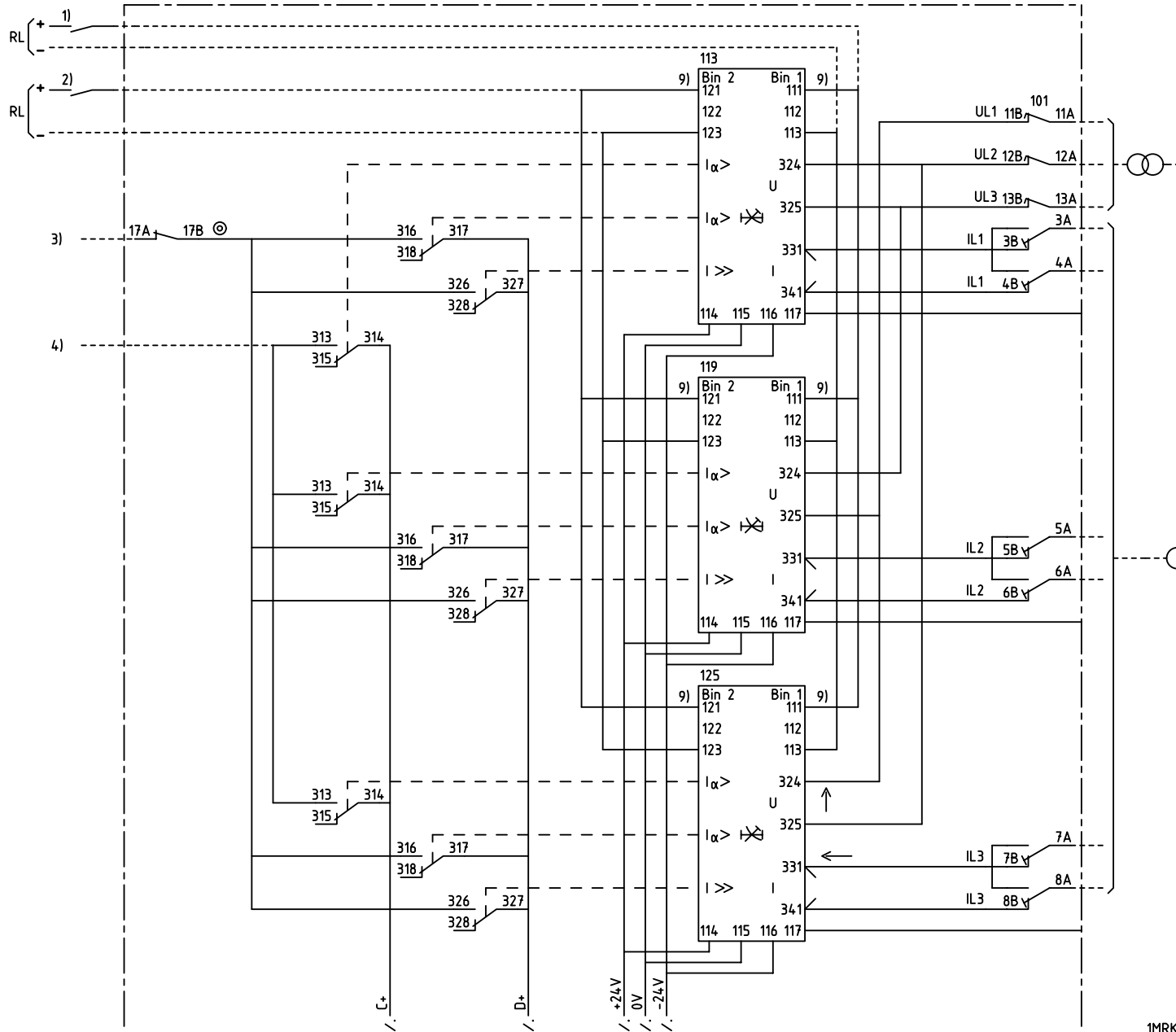


We reserve all rights in this document and in the information contained therein. Reproduction, use or distribution of this document without the written consent of ABB Automation Technologies AB is strictly forbidden. © ABB Automation Technologies AB



DIRECTIONAL 3-PH OVERCURRENT AND EARTH FAULT PROTECTIONS, DELAYED
RIKTADE 3-FAS ÖVERSTRÖMS- OCH JORDFELSSKYDD, FÖRDRÖJDA

| 36C | | | | | |
|-----|-----|-----|-----|-----|-----|
| 101 | 107 | 113 | 119 | 125 | 131 |
| 4U | | | | | |

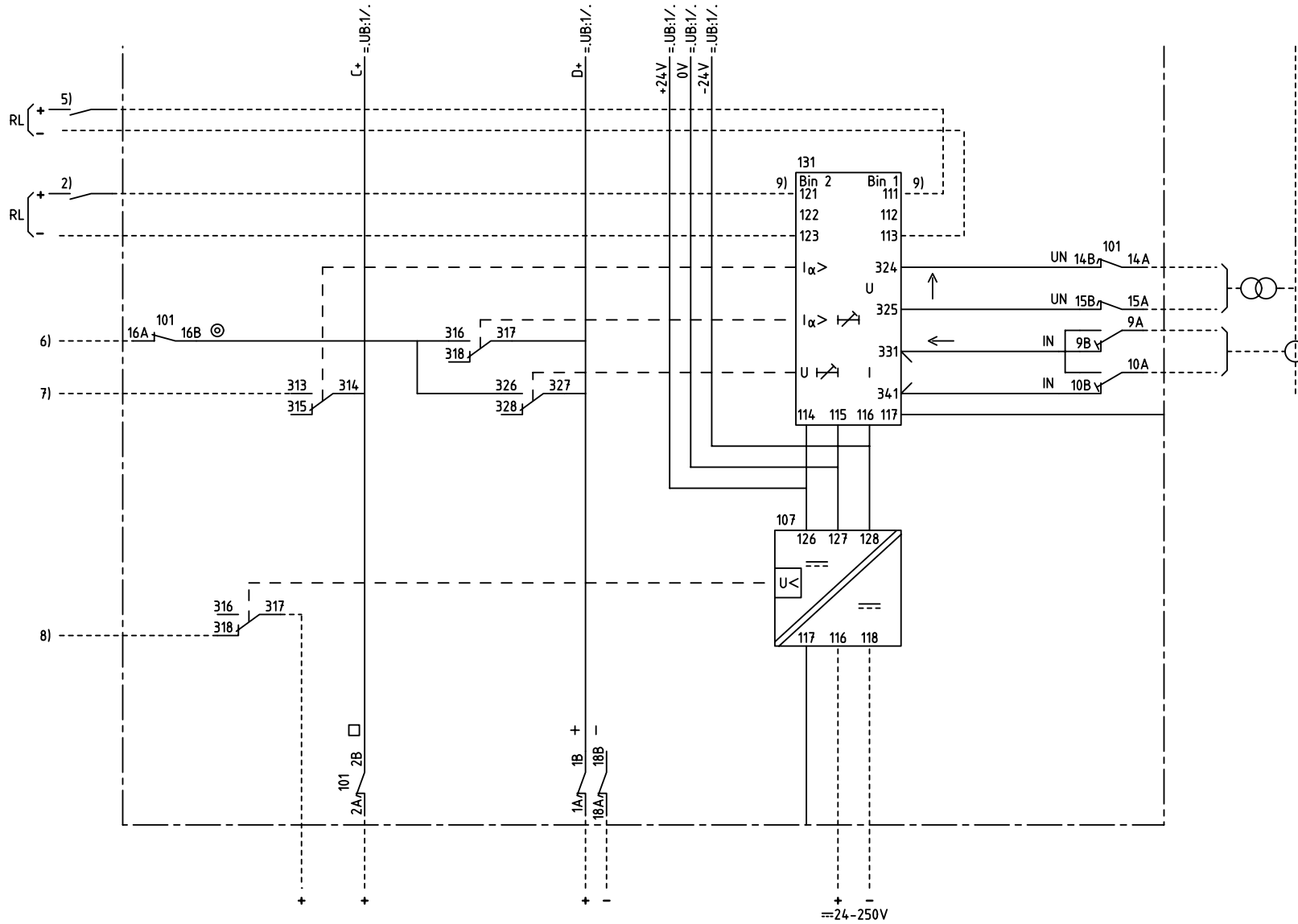
- 101 RTXP 18
- 107 RXTUG 22H
- 113,119,125 RXPDK 21H
- 131 RXPDK 22H

- 1) BLOCKING OF DIRECTIONAL OVERCURRENT, TRIPPING
BLOCKERING AV RIKTAD ÖVERSTRÖM, UTLÖSNING
- 2) RESETTING OF INDICATION
ÅTERSTÄLLNING AV INDIKERING
- 3) DIR. OVERCURRENT/OVERCURRENT, TRIPPING
RIKTAD ÖVERSTRÖM/ÖVERSTRÖM, UTLÖSNING
- 4) DIRECTIONAL OVERCURRENT, START
RIKTAD ÖVERSTRÖM, START
- 5) CHANGING OF CHARACTERISTIC ANGLE α
0° TO -90° OR -90° TO 0°
ÄNDRING AV KARAKTERISTISK VINKEL α
0° TILL -90° OR -90° TILL 0°
- 6) EARTH FAULT, TRIPPING
JORDFEL, UTLÖSNING
- 7) EARTH FAULT, START
JORDFEL, START
- 8) LOSS OF AUXILIARY VOLTAGE
BORTFALL AV HJÄLPSPÄNNING
- 9) CONNECTED FOR RL=110-220V DC
CHANGE FROM 111 TO 112 AND 121 TO 122 AT RL=48-60V DC
KOPPLAD FÖR RL=110-220V DC
ÄNDRA FRÅN 111 TILL 112 OCH 121 TILL 122 VID RL=48-60V DC

| | | | |
|-----------------|--|------------------------|--------------------|
| Customer drw no | Prep. PTUA/ TPTD H Raza/JE 1999-03-29 | Circuit Diagram | Conf. sh/ No of sh |
| | Appr. PTUA/ Roger Karlsson 1999-06-01 | Dir. O/C and E/F prot. | 2 |
| | Resp. dept PTUA/ TPTD | Document number | Sheet |
| | | 1MRK001062-UB | 1 |
| Based on | ABB ABB Automation Technologies | Lang. 82 | Rev. - |

Document status: Approved

We reserve all rights in this document and in the information contained therein. Reproduction, use in other projects or in other languages without the written consent of ABB Automation Technologies AB is strictly forbidden. © ABB Automation Technologies AB



| | | | | |
|-----------------|--|------------|----------------------|-----------------------|
| Customer drw no | Prep. PTUA/ TPTD H Raza/JE | 1999-03-29 | Circuit Diagram | Conf. sh/ No of sh |
| | Appr. PTUA/ Roger Karlsson | 1999-06-01 | | |
| | Resp. dept PTUA/ TPTD | | Document number | Lang. |
| Based on | ABB ABB Automation Technologies | | 1MRK001062-UB | 82 |
| | | | Rev. | Sheet |
| | | | - | 2 |

Document status: Approved