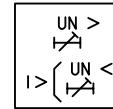
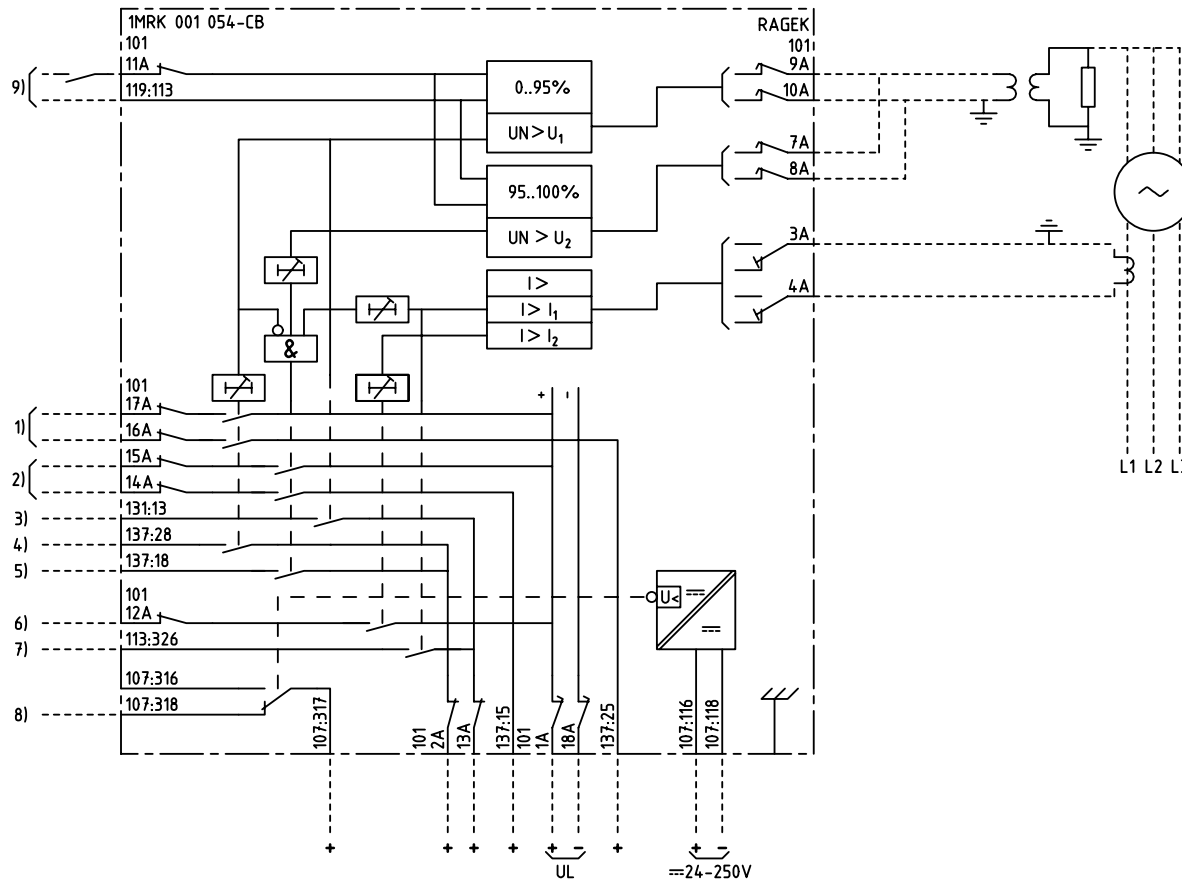


We reserve all rights in this document and in the information contained therein. Reproduction, use in connection with other products, or translation into other languages is strictly forbidden. © ABB Automation Technologies AB



100% STATOR E/F PROTECTION WITH CURRENT SUPERVISION
100% STATORJORDFELSSKYDD MED STRÖMÖVERVAKNING

- 1) TRIPPING 0-95%
UTLÖSNING 0-95%
- 2) TRIPPING 95-100%
UTLÖSNING 95-100%
- 3) START INDICATION 0-95%
START INDIKERING 0-95%
- 4) TRIPPING ALARM 0-95%
UTLÖSNING SIGNAL 0-95%
- 5) TRIPPING ALARM 95-100%
UTLÖSNING SIGNAL 95-100%
- 6) TRIPPING OVERCURRENT
UTLÖSNING ÖVERSTRÖM
- 7) START, INDICATION CURRENT
START, INDIKERING STRÖM
- 8) LOSS OF AUXILIARY VOLTAGE
BORTFALL AV HJÄLPSPÄNNING
- 9) RESETTING OF INDICATION
ÅTERSTÄLLNING AV INDIKERING

Customer drw no	Prep. PTUA/ TPTD C-H Einval/L Olstam 2000-04-17	Connection Diagram	Issued in	ARCADE	Conf. sh/ No of sh
	Appr. PTUA/ Roger Karlsson 2000-04-17				
	Resp. dept PTUA/ TPTD	Document number	Lang.	Rev.	Sheet
Based on	ABB ABB Automation Technologies	1MRK001054-CBA	en	A	1

Document status: Approved