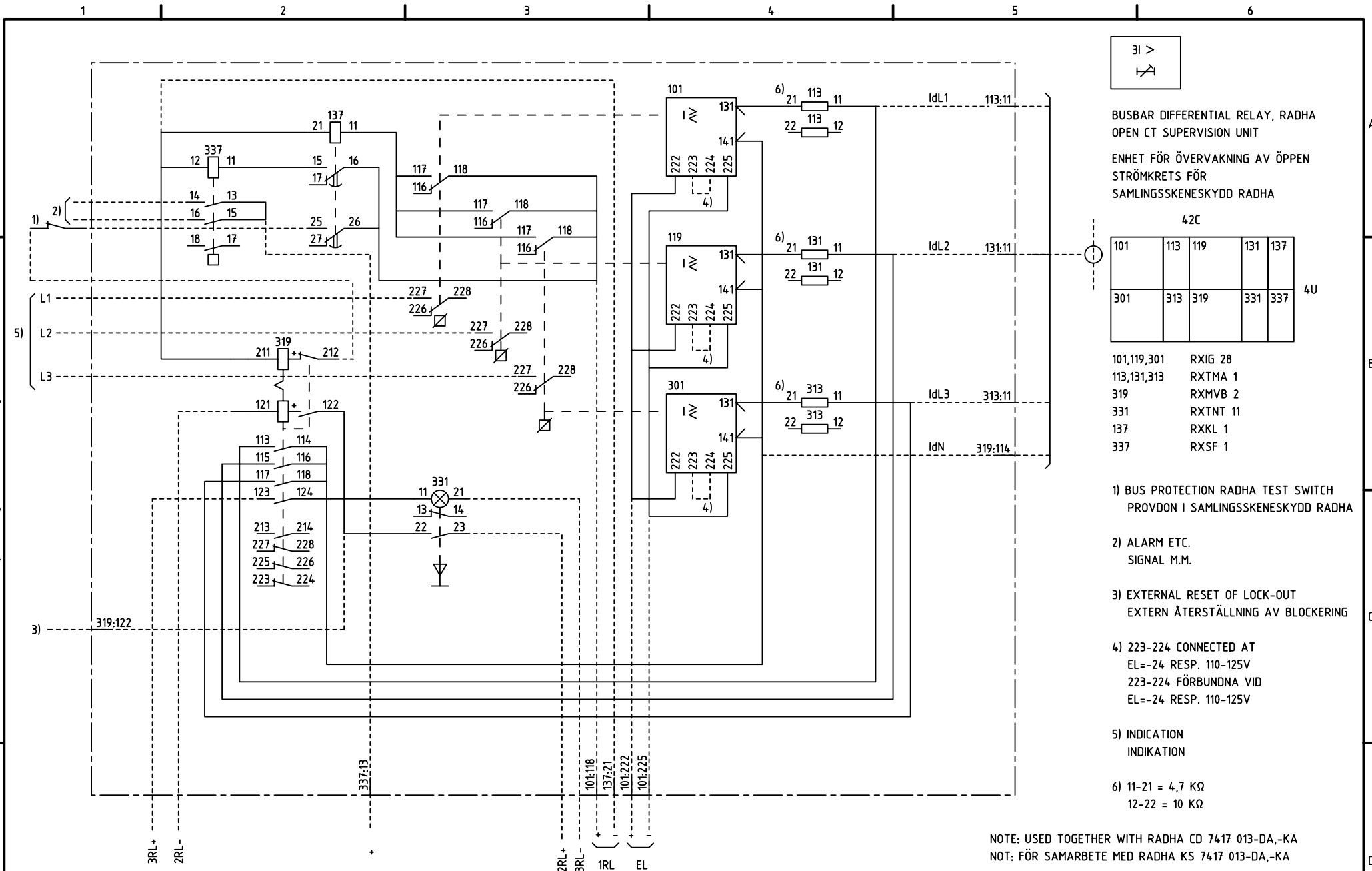


We reserve all rights in this document and in the information contained therein. Reproduction, use or distribution of this document without the written permission of ABB Automation Technologies AB is strictly forbidden.



31 >

BUSBAR DIFFERENTIAL RELAY, RADHA
 OPEN CT SUPERVISION UNIT

ENHET FÖR ÖVERVAKNING AV ÖPPEN
 STRÖMKRETS FÖR
 SAMLINGSSKENESKYDD RADHA

42C

101	113	119	131	137
301	313	319	331	337

4U

- 101,119,301 RXIG 28
- 113,131,313 RXTMA 1
- 319 RXMVB 2
- 331 RXTNT 11
- 137 RXKL 1
- 337 RXSF 1

- 1) BUS PROTECTION RADHA TEST SWITCH
PROVDON I SAMLINGSSKENESKYDD RADHA
- 2) ALARM ETC.
SIGNAL M.M.
- 3) EXTERNAL RESET OF LOCK-OUT
EXTERN ÅTERSTÄLLNING AV BLOCKERING
- 4) 223-224 CONNECTED AT
EL=-24 RESP. 110-125V
223-224 FÖRBUNDNA VID
EL=-24 RESP. 110-125V
- 5) INDICATION
INDIKATION
- 6) 11-21 = 4,7 KΩ
12-22 = 10 KΩ

NOTE: USED TOGETHER WITH RADHA CD 7417 013-DA,-KA
 NOT: FÖR SAMARBETE MED RADHA KS 7417 013-DA,-KA

1MRK 002024-UA

Customer drw no	Prep. PTUA/ TPTD Eriksson Jill 2001-11-28	Circuit Diagram	Cont. sh/ No of sh			
	Appr. PTUA/ TATD Jonsson Patrik 2001-11-29			Supervision unit		
	Resp. dept PTUA/ TPTD					
Based on	ABB Automation Technologies		Document number 74310104-BA	Lang. 82	Rev. A	Sheet 1

Document status: Approved