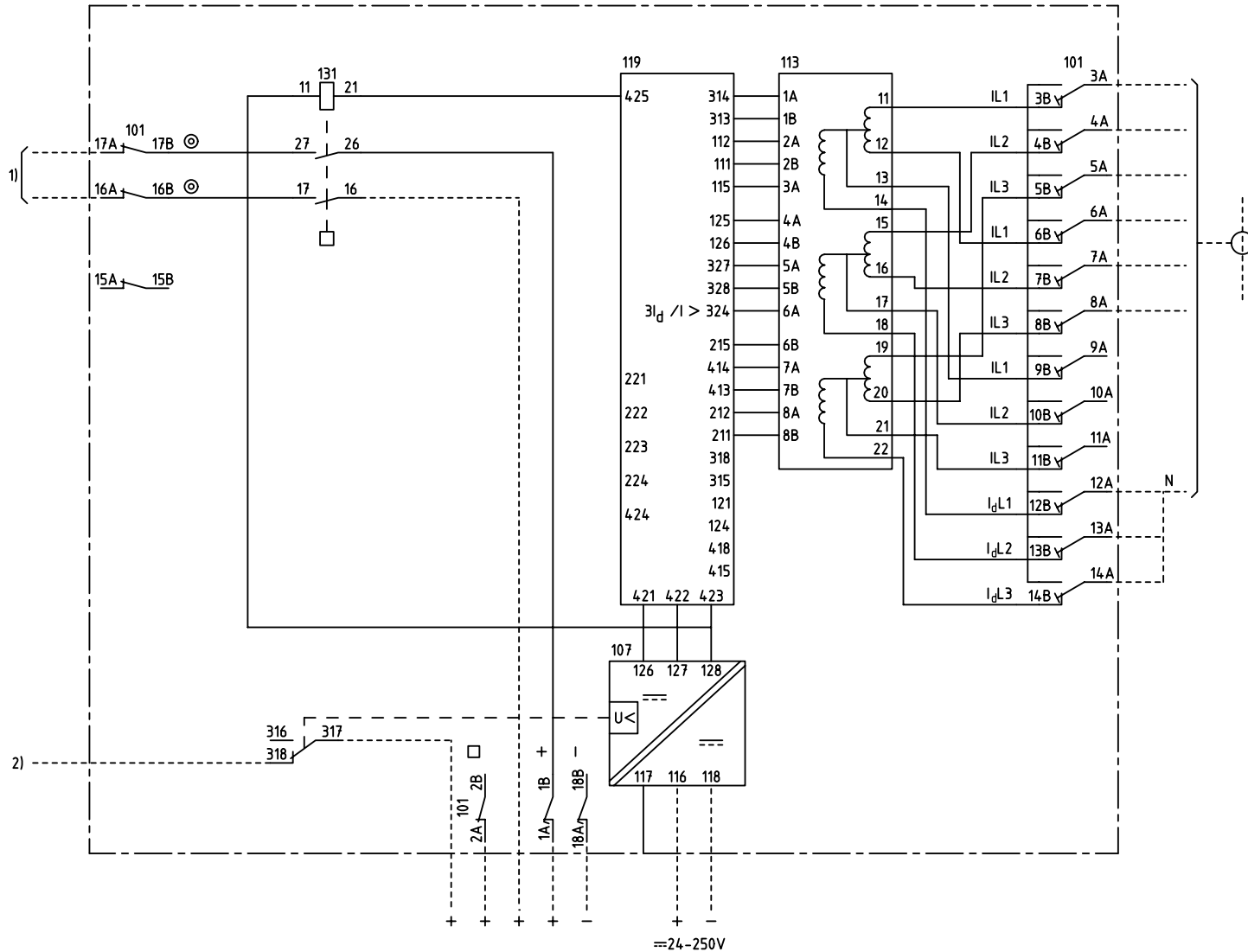
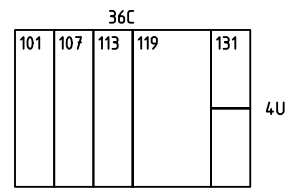


We reserve all rights in this document and in the information contained therein. Reproduction, use for other than intended purposes, without the written consent of ABB Network Partner AB is strictly forbidden.



$3 I_d / I >$

TRANSFORMER DIFFERENTIAL PROTECTION
 WITH TWO INPUT CIRCUIT RESTRAINTS
 TRANSFORMATORDIFFERENTIALSKYDD MED
 TVÅ STABILISERANDE INGÅNGAR



- 101 RTXP 18
- 107 RXTUG 22H
- 113 RTQTB 060
- 119 RXDSB 4
- 131 RXME 18

- 1) TRIP ETC.
UTLÖSNING M.M
- 2) LOSS OF AUXILIARY VOLTAGE
BORTFALL AV HJÄLPPSPÄNNING

ELCAD ID PAT/render		DATE 2004-09-3014:24		RK 625 001-BC		Issued in ARCADE	
		Prepared 85.34	C-H EINVALL		CIRCUIT DIAGRAM/KRETSSCHEMA		
		Approved 85.34	P JENÄKER		RADSB DIFFERENTIAL PROTECTION		
					DIFFERENTIALSKYDD		
Rev Ind	Revision	Reg No 7454			Resp dep PAT	Rev Ind 2 96.45	Lang 82
Based on		Pcl 890.625			ABB ABB Network Partner AB		7454 344-BE
							Sheet 1
							Cont