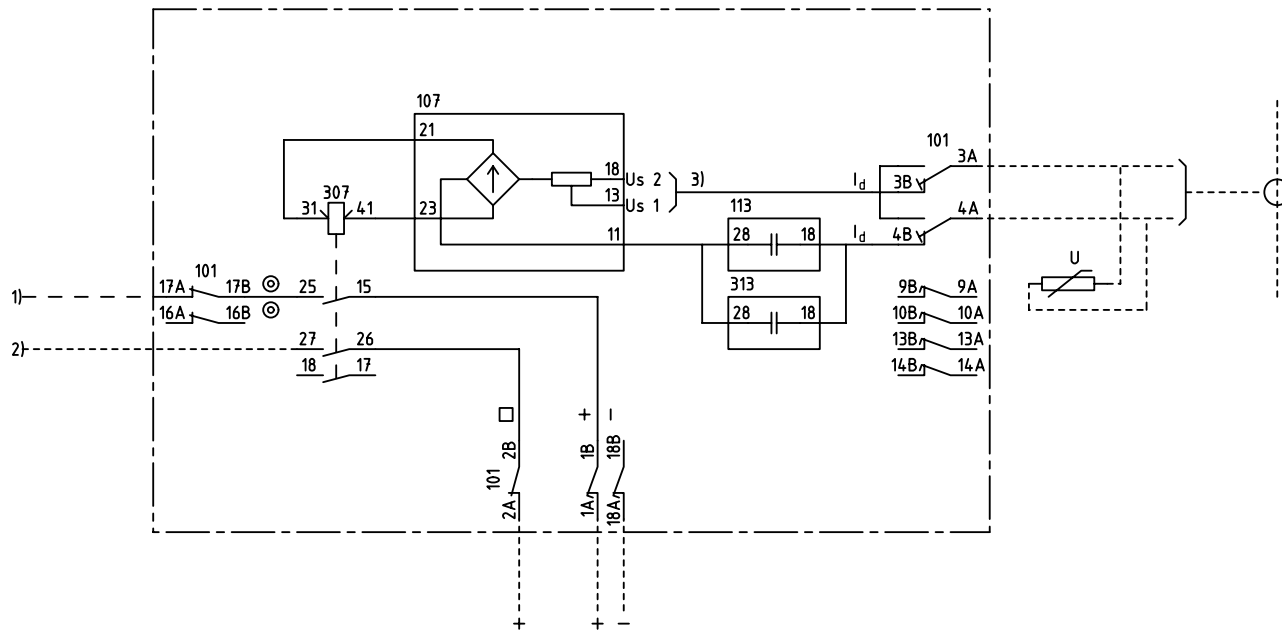
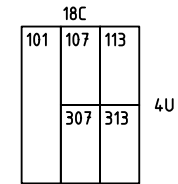


We reserve all rights in this document and in the information contained therein. Reproduction, use for other than intended purposes, or distribution without the written consent of ABB Network Partner AB is strictly forbidden.



$I_d >$

HIGH-IMPEDANCE SINGLE-PHASE RESTRICTED EARTH-FAULT PROTECTION FOR  $U_s = 10/15V$   
 ENFAS HÖGIMPEDANS JORDFELSDIFFERENTIALSKYDD FÖR  $U_s = 10/15V$



101 RTXP 18  
 107 RXTLA 1  
 113 313 RXTCA 1  
 307 RXID 1

- 1) TRIP ETC.  
UTLÖSNING M.M
- 2) ALARM ETC.  
SIGNAL M.M
- 3) CONNECTED TO 13 (Us1) AT DELIVERY  
VID LEVERANS ANSLUTEN TILL 13 (Us1)

ELCAD ID TPTD/render

DATE 2004-06-224:10

RK 646 007-DA

Issued in ARCADE

Prepared 74 24		CIRCUIT DIAGRAM/KRETSSCHEMA		Resp dep TPTD		Rev ind 6 96.45		Lang 82	
Approved 74 24		RADHD EARTH-FAULT PROTECTION		7417 005-DA		Sheet 1			
Rev Ind Revision		Reg No 7417		ABB ABB Network Partner AB		Cont			
Based on		Pcl 890.646							

1

2

3

4

5

6