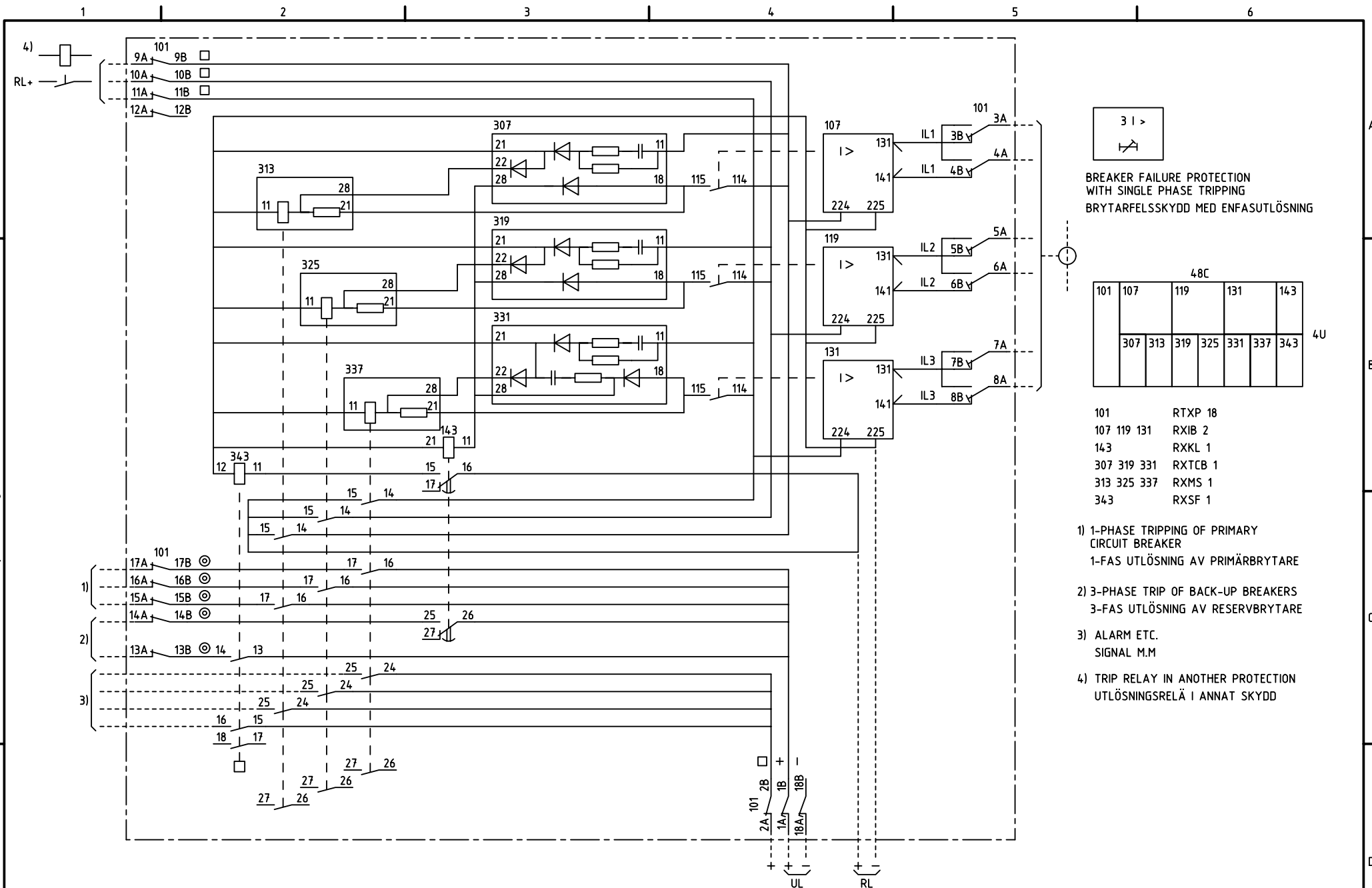


We reserve all rights in this document and in the information contained therein. Reproduction, use or distribution of this document or its contents without the written permission of ABB Network Partner AB is strictly forbidden.



3 | >  
 BREAKER FAILURE PROTECTION  
 WITH SINGLE PHASE TRIPPING  
 BRYTARFELSSKYDD MED ENFASUTLÖSNING

48C					
101	107	119	131	143	
	307	313	319	325	331
					337
					343

4U

- 101 RTXP 18
- 107 119 131 RXIB 2
- 143 RXKL 1
- 307 319 331 RXTCB 1
- 313 325 337 RXMS 1
- 343 RXSF 1

- 1) 1-PHASE TRIPPING OF PRIMARY CIRCUIT BREAKER  
1-FAS UTLÖSNING AV PRIMÄRBRYTARE
- 2) 3-PHASE TRIP OF BACK-UP BREAKERS  
3-FAS UTLÖSNING AV RESERVBRYTARE
- 3) ALARM ETC.  
SIGNAL M.M
- 4) TRIP RELAY IN ANOTHER PROTECTION  
UTLÖSNINGSRELÄ I ANNAT SKYDD