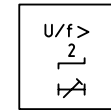
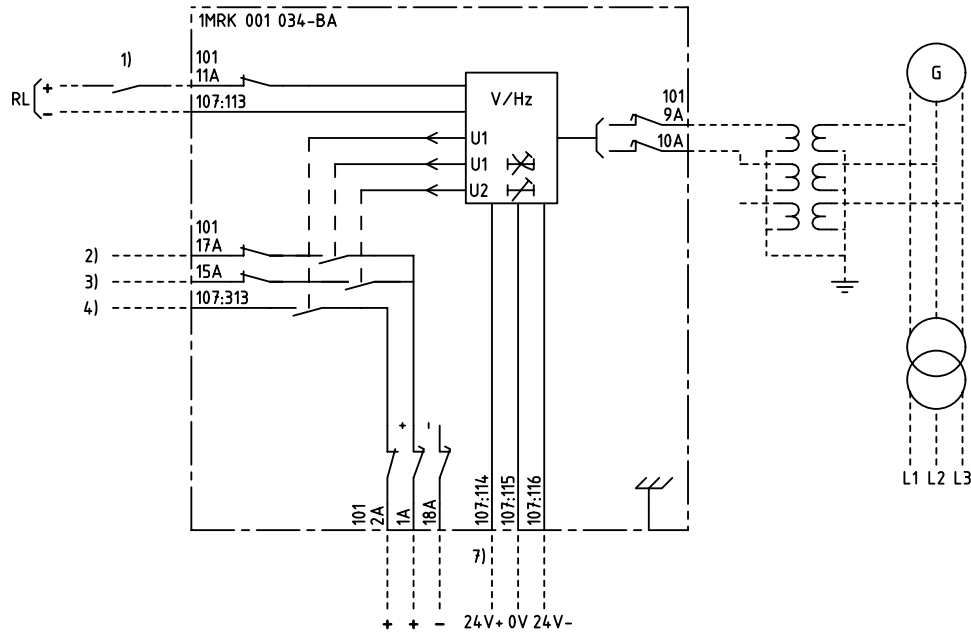


We reserve all rights in this document and in the information contained therein. Reproduction, use for other than intended purposes, without the written consent of ABB Network Partner AB is strictly forbidden.



TRANSFORMER OVEREXCITATION PROTECTION
ÖVERMAGNETISERINGSSKYDD FÖR TRANSFORMATOR

- 1) RESETTING OF INDICATION
ÅTERSTÄLLNING AV INDIKERING
- 2) TRIPPING STAGE 1
UTLÖSNING STEG 1
- 3) TRIPPING STAGE 2
UTLÖSNING STEG 2
- 4) START STAGE 1
START STEG 1
- 7) MUST ENERGIZED FROM RXTUG 21/22H
MÅSTE MATAS FRÅN RXTUG 21/22H

ELCAD ID TPTD/render

DATE 2004-06-2222:11

Issued in ARCADE

Prepared 96-12-10 H RAZA/J ERIKSSON		TERMINAL DIAGRAM/UTTAGSSCHEMA		Resp dep TPTD		Rev Ind -		Lang en	
Approved 97-01-22 Peter Jenøker		RALK 1 TRANS TIME-OVEREXCITATION PROT		RALK 1 ÖVERMAGNET.SKYDD FÖR TRAFÖ				Sheet 1	
Rev Ind	Revision	Reg No 7411	ABB ABB Network Partner AB		1MRK 001 034-BAA		Cont		
Based on		Pcl 890.561							