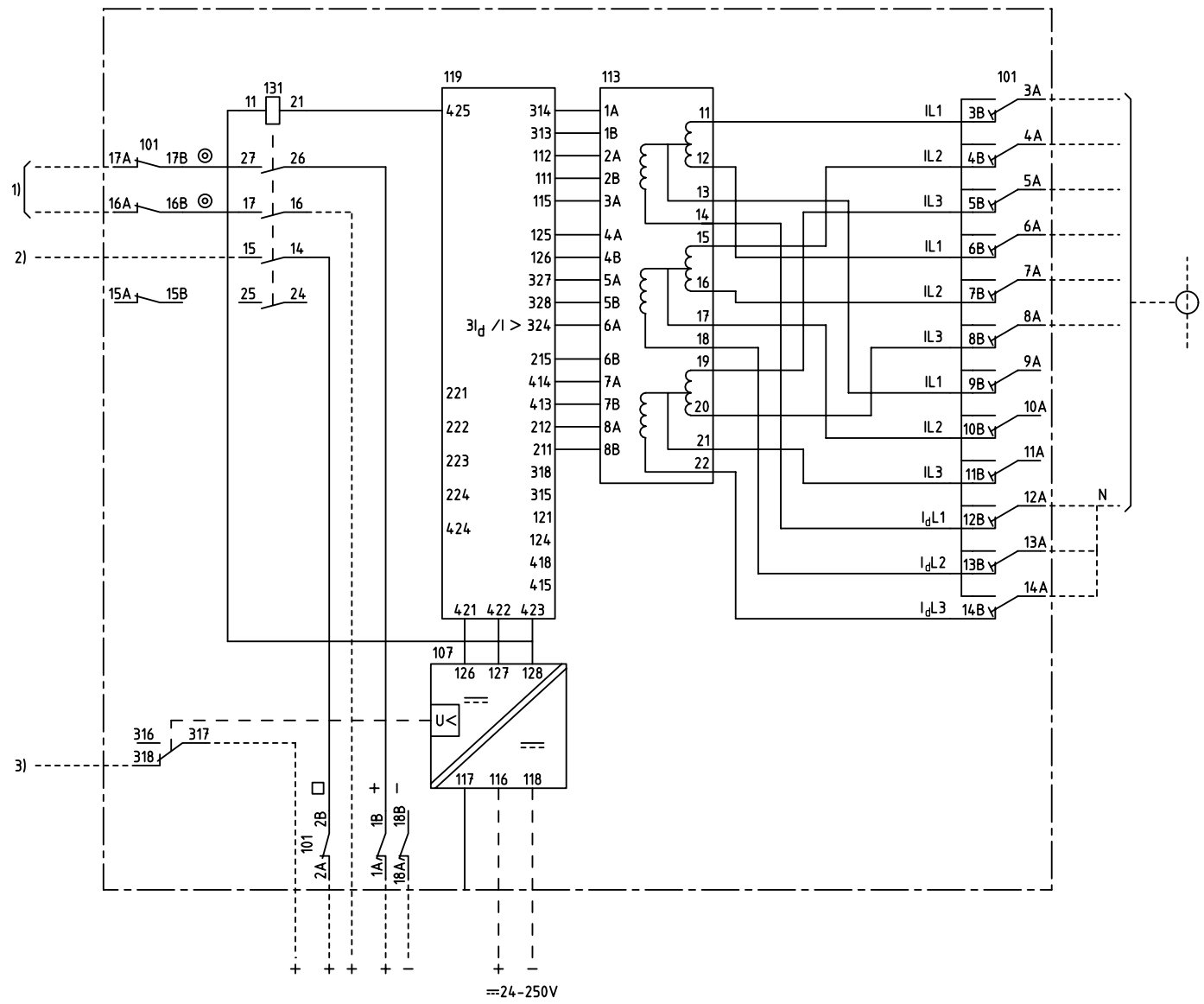
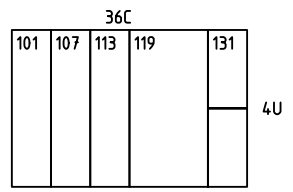


We reserve all rights in this document and in the information contained therein. Reproduction, use for other than intended purposes, without the written consent of ABB Network Partner AB is strictly forbidden.



$3 I_d / I >$

TRANSFORMER DIFFERENTIAL PROTECTION
WITH TWO INPUT CIRCUIT RESTRAINTS
TRANSFORMATORDIFFERENTIALSKYDD MED
TVÅ STABILISERANDE INGÅNGAR



- 101 RTXP 18
- 107 RXTUG 22H
- 113 RTQTB 060
- 119 RXDSB 4
- 131 RXMS 1

- 1) TRIP ETC.
UTLÖSNING M.M
- 2) ALARM ETC.
SIGNAL M.M
- 3) LOSS OF AUXILIARY VOLTAGE
BORTFALL AV HJÄLPSPÄNNING

ELCAD ID PAT/render		DATE 2004-06-227:40		RK 625 001-AC		Issued in ARCADE	
		Prepared 85.34	C-H EINVALL		CIRCUIT DIAGRAM/KRETSSCHEMA		
		Approved 85.34	P JENÄKER		RADSB DIFFERENTIAL PROTECTION		
					DIFFERENTIALSKYDD		
Rev Ind	Revision	Reg No 7454			Resp dep PAT	Rev Ind 2 96.45	Lang 82
Based on		Pcl 890.625			7454 344-AE		Sheet 1
							Cont