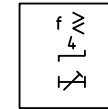
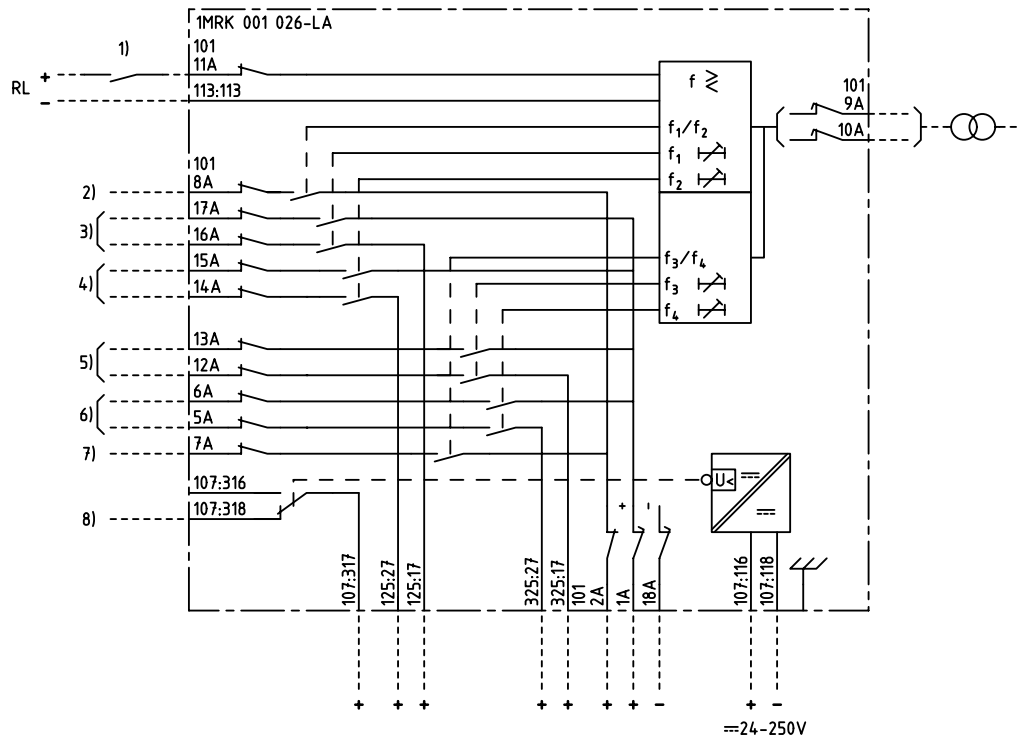


We reserve all rights in this document and in the information contained therein. Reproductions, use for other than intended purposes or distribution without the written consent of ABB Network Partner AB is strictly forbidden.



OVER AND/OR UNDERFREQUENCY PROTECTION  
ÖVER OCH/ELLER UNDERFREKVENSSKYDD

- 1) RESETTING OF INDICATION  
ÅTERSTÄLLNING AV INDIKERING
- 2) START STAGE 1/STAGE 2  
START STEG 1/STEG 2
- 3) TRIPPING STAGE 1  
UTLÖSNING STEG 1
- 4) TRIPPING STAGE 2  
UTLÖSNING STEG 2
- 5) TRIPPING STAGE 3  
UTLÖSNING STEG 3
- 6) TRIPPING STAGE 4  
UTLÖSNING STEG 4
- 7) START STAGE 3/STAGE 4  
START STEG 3/STEG 4
- 8) LOSS OF AUXILIARY VOLTAGE  
BORTFALL AV HJÄLPSPÄNNING

ELCAD ID TPTD/render

DATE 2004-06-2222:18

Issued in ARCADE

Prepared 96-07-04 C-H EINVALL/J ERIKSSON		TERMINAL DIAGRAM/UTTAGSSCHEMA	
Approved 96-08-28 Peter Jenøker		RAFK FREQUENCY PROTECTION	
		RAFK FREKVENSSKYDD	
Rev Ind	Revision	Reg No 7411	Lang en
Based on	Pcl 890.546		Sheet 1
		Cont	

**ABB** ABB Network Partner AB

**1MRK 001 026-LAA**

1

2

3

4

5

6