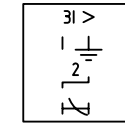
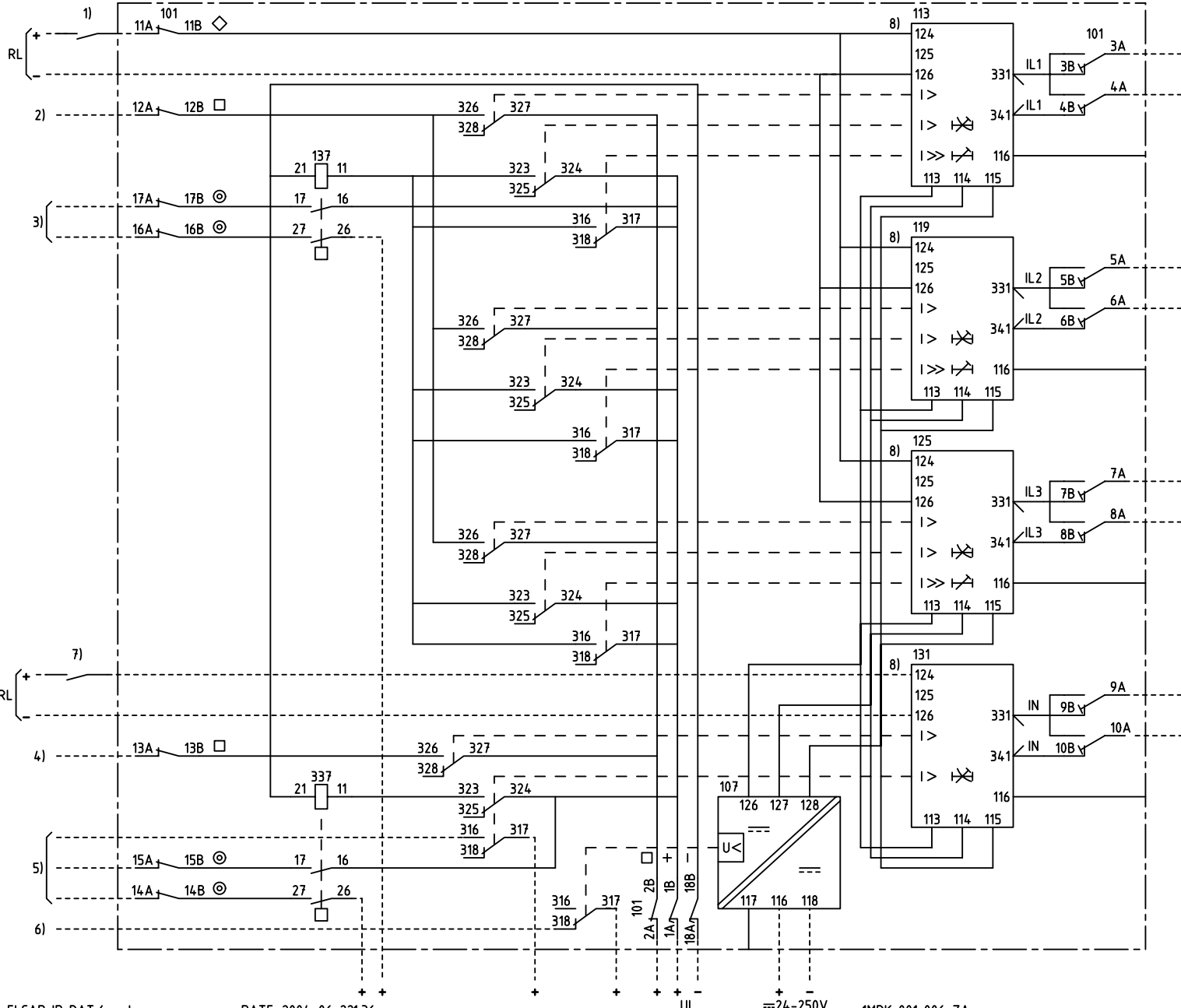


We reserve all rights in this document and in the information contained therein. Reproduction, use for other than intended purposes, or distribution without the written consent of ABB Network Partner AB is strictly forbidden.



3-PHASE OVERCURRENT AND
EARTH-FAULT PROTECTION
3-FAS ÖVERSTRÖMSSKYDD
JORDFELSSKYDD

42C					
101	107	113	119	125	131
					337

- 101 RTXP 18
- 107 RXTUG 22H
- 113 119 125 RXIDK 2H
- 131 RXIDG 21H
- 137 337 RXME 18

- 1) ENABLE, BLOCK OR INCREASED OP.VALUE
FRIGIVNING, BLOCKERING ELLER ÖKAT
FUNKTIONSVÄRDE
- 2) OVERCURRENT, START
ÖVERSTRÖM, START
- 3) OVERCURRENT, TRIPPING
ÖVERSTRÖM, UTLÖSNING
- 4) EARTH-FAULT, START
JORDFEL, START
- 5) EARTH-FAULT, TRIPPING
JORDFEL, UTLÖSNING
- 6) LOSS OF AUXILIARY VOLTAGE
BORTFALL AV HJÄLPPÅNNING
- 7) ENABLE OR BLOCK
FRIGIVNING ELLER BLOCKERING
- 8) CONNECTED FOR RL=110-220V DC
CHANGE FROM 124 TO 125
AT RL=48-60V DC
KOPPLAD FÖR RL=110-220V DC
ÄNDRA FRÅN 124 TO 125
VID RL=48-60V DC

ELCAD ID PAT/render

DATE 2004-06-221:36

1MRK 001 006-ZA

Issued in ARCADE

Prepared 96-08-01 HAIDER RAZA/L OLSTAM		CIRCUIT DIAGRAM/KRETSSCHEMA		Resp dep PAT		Rev ind 1 97.12		Lang 82	
Approved 96-09-10 P JENÄKER		RACIK 4 OVERCURRENT PROTECTION		Rev dep PAT		Rev ind 1 97.12		Lang 82	
		RACIK 4 ÖVERSTRÖMSSKYDD		Rev dep PAT		Rev ind 1 97.12		Lang 82	
Rev Ind	Revision	Reg No	7411	Rev dep PAT		Rev ind 1 97.12		Lang 82	
Based on		Pcl	890.616	Rev dep PAT		Rev ind 1 97.12		Lang 82	
				ABB ABB Network Partner AB		1MRK 001 007-ZA		Sheet 1	
								Cont	