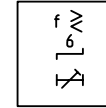
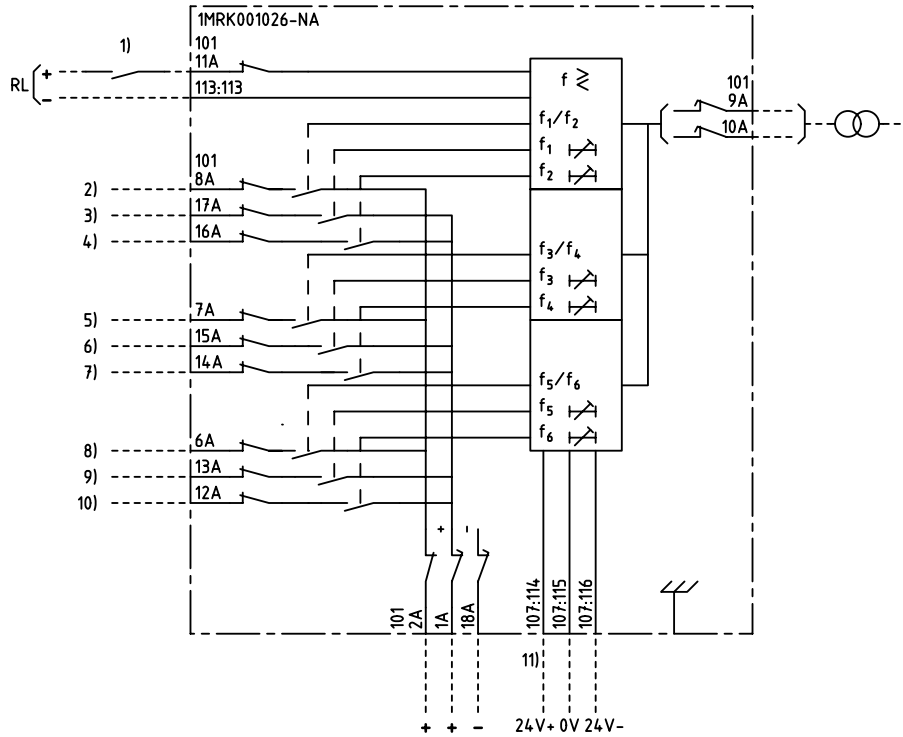
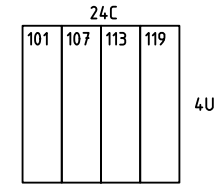


We reserve all rights in this document and in the information contained therein. Reproduction, use for other than intended purposes, or distribution without the written permission of ABB Automation Technologies AB is strictly forbidden.



OVER AND/OR UNDERFREQUENCY PROTECTION  
ÖVER OCH/ELLER UNDER FREKVENSSKYDD



101 RTXP 18  
107,113,119 RXFK 2H

- 1) RESETTING OF INDICATION  
ÅTERSTÄLLNING AV INDIKERING
- 2) START STAGE 1/STAGE 2  
START STEG 1/STEG 2
- 3) TRIPPING STAGE 1  
UTLÖSNING STEG 1
- 4) TRIPPING STAGE 2  
UTLÖSNING STEG 2
- 5) START STAGE 3/STAGE 4  
START STEG 3/STEG 4
- 6) TRIPPING STAGE 3  
UTLÖSNING STEG 3
- 7) TRIPPING STAGE 4  
UTLÖSNING STEG 4
- 8) START STAGE 5/STAGE 6  
START STEG 5/STEG 6
- 9) TRIPPING STAGE 5  
UTLÖSNING STEG 5
- 10) TRIPPING STAGE 6  
UTLÖSNING STEG 6
- 11) MUST BE ENERGIZED FROM RXTUG 21/22 H  
MÅSTE MATAS FRÅN RXTUG 21/22 H

|                 |  |                       |                       |
|-----------------|--|-----------------------|-----------------------|
| Customer drw no | Prep. PTUA/ TPTD C-H Einvall/JE 1999-08-13 | Connection Diagram    | Conf. sh/<br>No of sh |
|                 | Appr. PTUA/ Roger Karlsson 1999-09-03      |                       |                       |
|                 | Resp. dept PTUA/ TPTD                      | Document number       | Lang.                 |
| Based on        | <b>ABB</b> ABB Automation Technologies     | <b>1MRK001026-NAA</b> | en                    |
|                 |  | Rev.                  | Sheet                 |
|                 |  | -                     | 1                     |

Document status: Approved