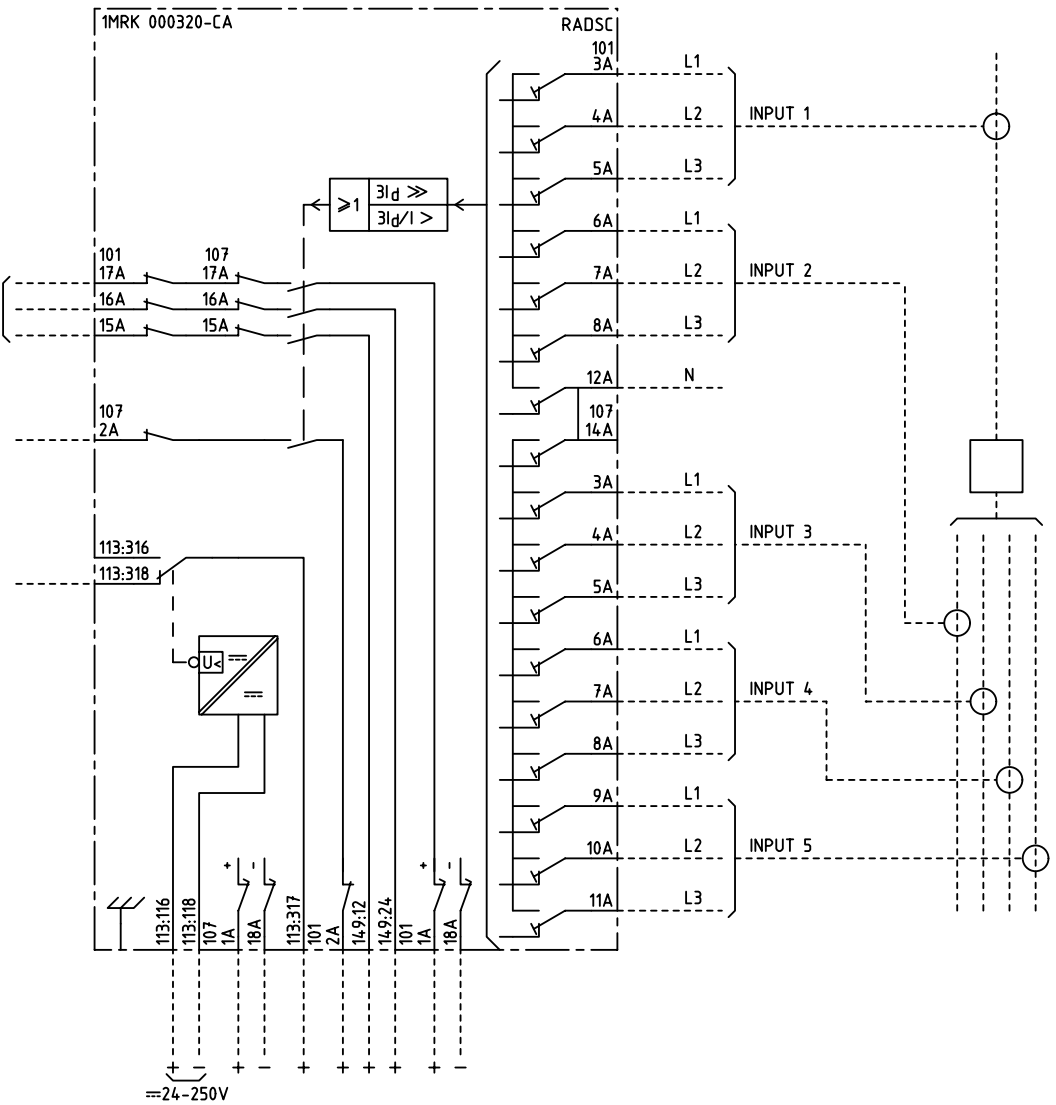


We reserve all rights in this document and in the information contained therein. Reproductions, use for other than intended purposes, or distribution without the written consent of ABB Network Partner AB is strictly forbidden.

TRIPPING ETC.
 UTLÖSNING M.M
 ALARM ETC.
 SIGNAL M.M
 LOSS OF EL
 BORTFALL AV EL



$3I_d/1 >$

DIFFERENTIAL PROTECTION WITH FIVE
 INPUT CIRCUIT RESTRAINTS
 DIFFERENTIALSKYDD MED
 FEM STABILISERANDE INGÅNGAR

ELCAD ID PAT/render		DATE 2004-06-2222:34		Issued in ARCADE	
		Prepared 94 44	C-H EINVALL	TERMINAL DIAGRAM/UTTAGSSCHEMA	
		Approved 94 44	P JENÅKER	RADSC DIFFERENTIAL PROTECTION	
				RADSC DIFFERENTIALSKYDD	
Rev Ind	Revision	Reg No 1MRK		Resp dep PAT	Rev ind 1 96 45
Based on	Pcl 890.000			Lang 82	Sheet 1
				Cont	

ABB ABB Network Partner AB

1MRK 000 320-CAA