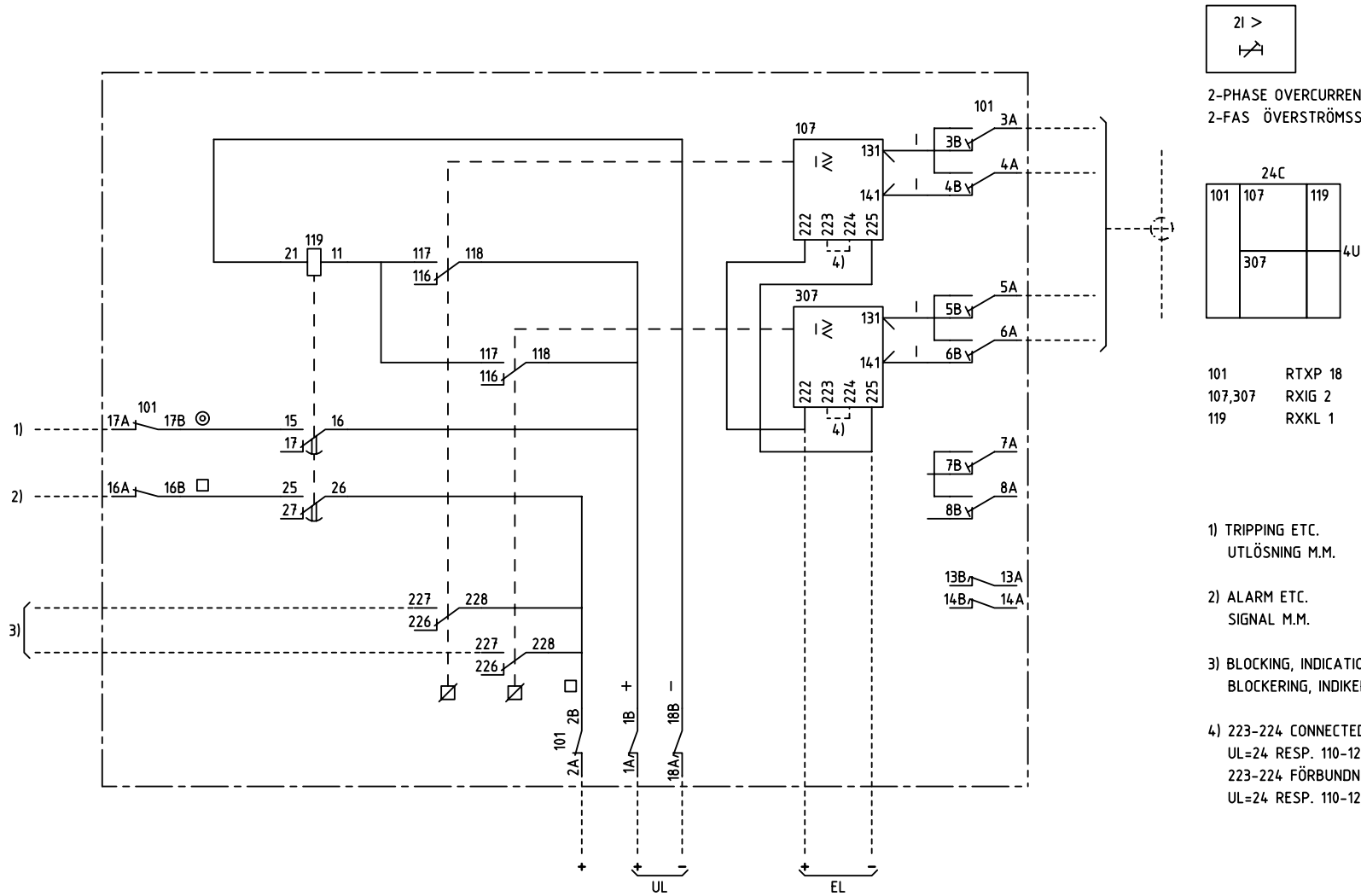
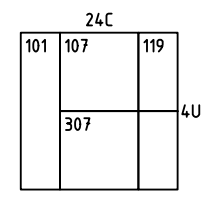


We reserve all rights in this document and in the information contained therein. Reproduction, use for other purposes or distribution without the written consent of ABB Network Partner AB is strictly forbidden.



2I >
 2-PHASE OVERCURRENT PROTECTION, DELAYED
 2-FAS ÖVERSTRÖMSKYDD, FÖRDRÖJT



101 RTXP 18
 107,307 RXIG 2
 119 RXKL 1

- 1) TRIPPING ETC.
UTLÖSNING M.M.
- 2) ALARM ETC.
SIGNAL M.M.
- 3) BLOCKING, INDICATION ETC.
BLOCKERING, INDIKERING M.M.
- 4) 223-224 CONNECTED AT
UL=24 RESP. 110-125V DC
223-224 FÖRBUNDNA VID
UL=24 RESP. 110-125V DC

ELCAD ID PAT/render		DATE 2004-10-06 10:19		1MRK 001 037-GA		Issued in ARCADE	
		Prepared 97-01-14 C-H Einvall/L Bergman		CIRCUIT DIAGRAM/KRETSSCHEMA			
		Approved 97-02-12 P Jenåker		RAIG 2-PHASE OVERCURRENT PROTECTION			
				RAIG 2-FAS ÖVERSTRÖMSKYDD		Resp dep PAT Rev ind -	
Rev Ind	Revision	Reg No	7411	ABB ABB Network Partner AB		1MRK 001 038-GA	
Based on		Pcl	890,411				
						Sheet	1
						Cont	