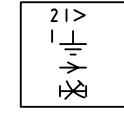
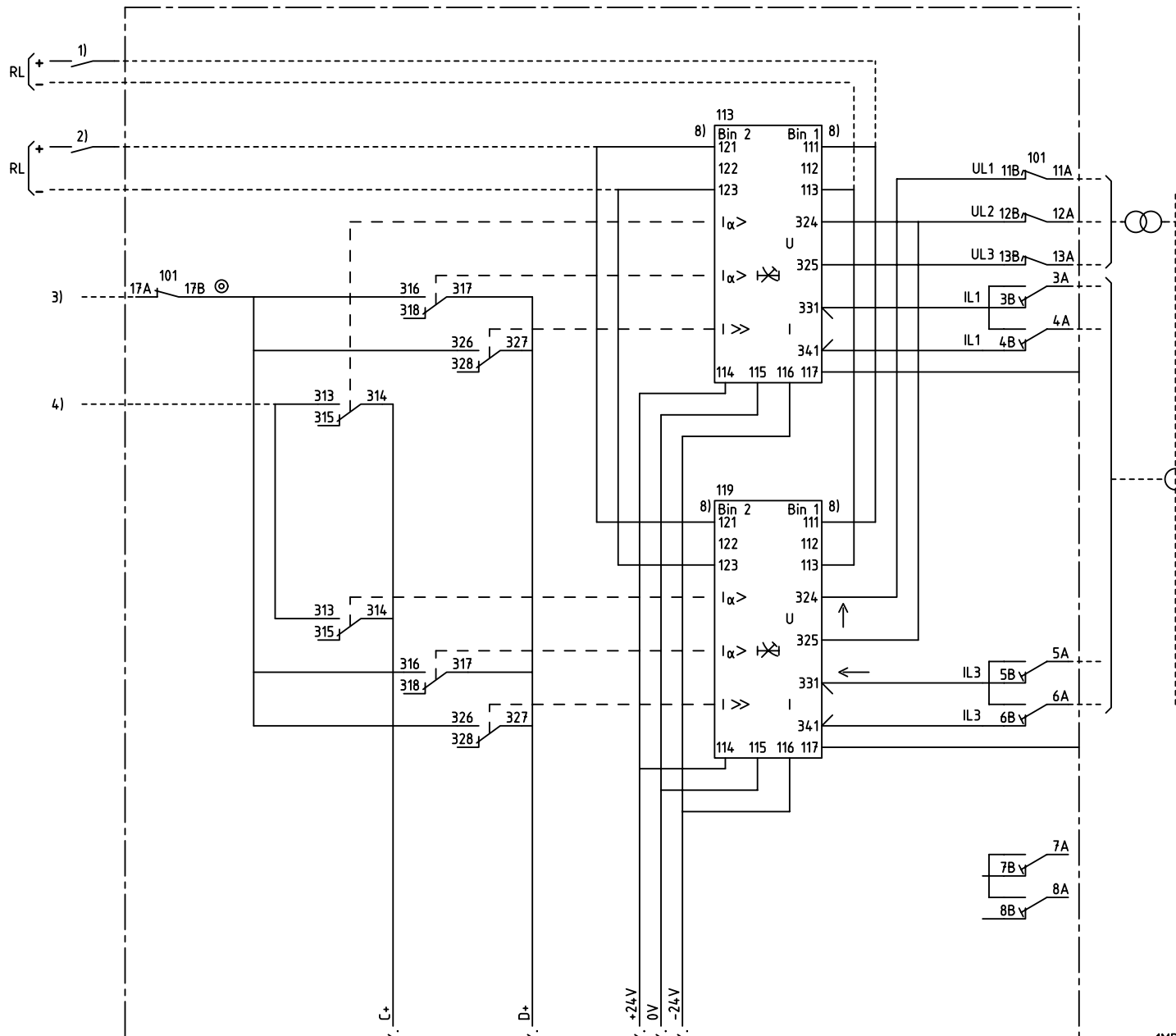
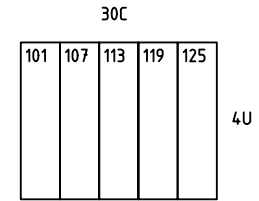


We reserve all rights in this document and in the information contained therein. Reproduction, use for other than intended purposes, or distribution without the written consent of ABB Automation Technologies AB is strictly forbidden. © ABB Automation Technologies AB



DIRECTIONAL 2-PH OVERCURRENT AND EARTH FAULT PROTECTIONS, DELAYED
RIKTADE 2-FAS ÖVERSTRÖMS- OCH JORDFELSSKYDD, FÖRDRÖJDA



101 RTXP 18
107 RXTUG 22H
113,119,125 RXPDK 21H

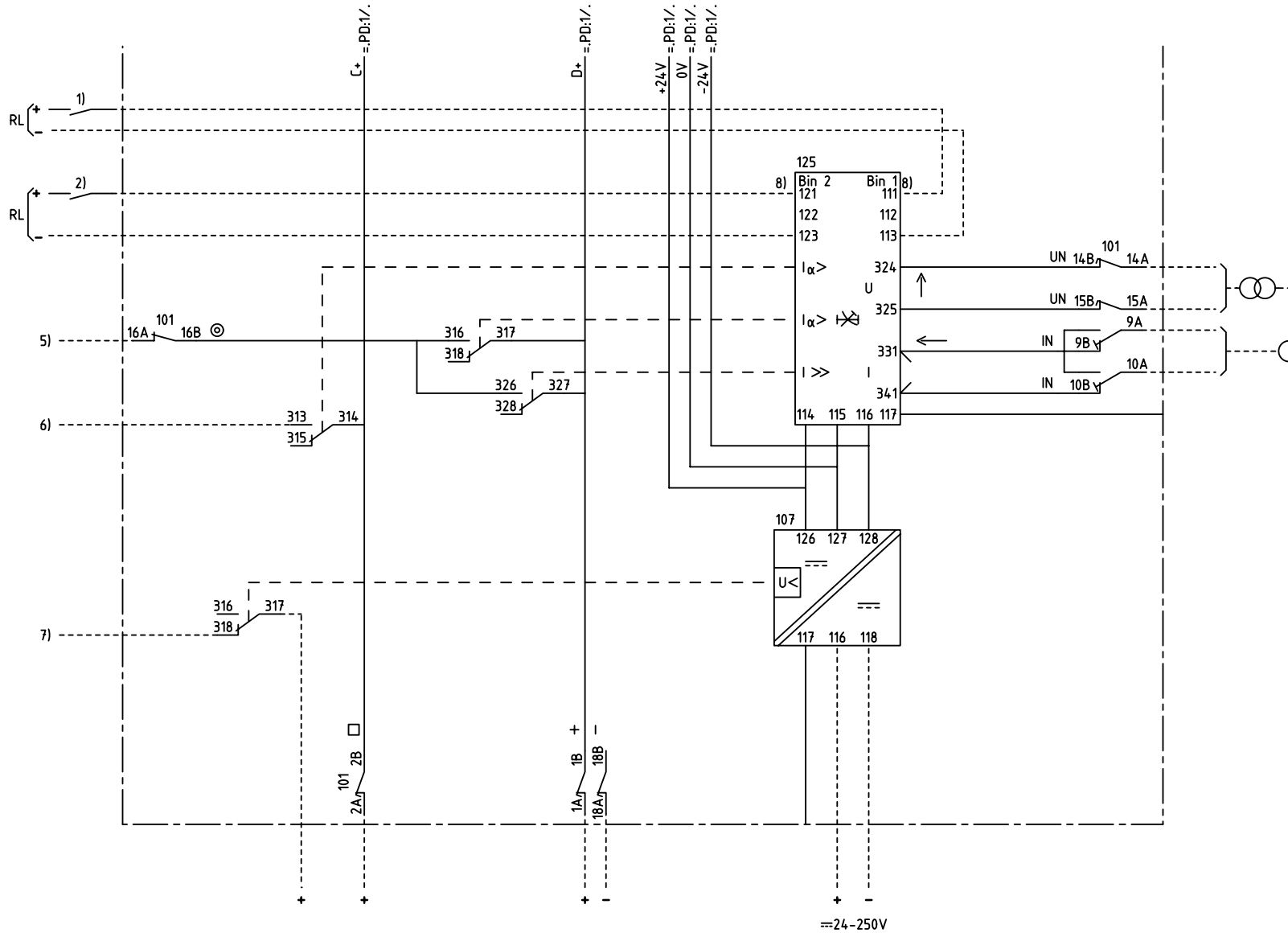
- 1) BLOCKING OF THE FUNCTION $I_{\alpha} >$ BLOCKERING AV FUNKTIONEN $I_{\alpha} >$
- 2) RESETTING OF INDICATION
ÅTERSTÄLLNING AV INDIKERING
- 3) DIR. OVERCURRENT/OVERCURRENT, TRIPPING
RIKTAD ÖVERSTRÖM/ÖVERSTRÖM, UTLÖSNING
- 4) DIRECTIONAL OVERCURRENT, START
RIKTAD ÖVERSTRÖM, START
- 5) EARTH FAULT, TRIPPING
JORDFEL, UTLÖSNING
- 6) EARTH FAULT, START
JORDFEL, START
- 7) LOSS OF AUXILIARY VOLTAGE
BORTFALL AV HJÄLPSPÄNNING
- 8) CONNECTED FOR RL=110-220V DC
CHANGE FROM 111 TO 112 AND
121 TO 122 AT RL=48-60V DC
KOPPLAD FÖR RL=110-220V DC
ÄNDRA FRÅN 111 TILL 112 OCH
121 TILL 122 VID RL=48-60V DC

Customer drw no	Prep. PTUA/ TPTD H Raza/JE	1999-03-29
	Appr. PTUA/ Roger Karlsson	1999-05-21
	Resp. dept PTUA/ TPTD	
ABB ABB Automation Technologies		
Based on		

1MRK 001 021-PD		Circuit Diagram		Cont. sh/ No of sh	
		Dir. O/C and E/F prot.		2	
		Document number	Lang.	Rev.	Sheet
		1MRK001022-PD	82	-	1

Document status: Approved

We reserve all rights in this document and in the information contained therein. Reproduction, use or distribution of this document without the written authority of ABB Automation Technologies AB is strictly forbidden. © ABB Automation Technologies AB



Customer drw no	Prep. PTUA/ TPTD H Raza/JE 1999-03-29	1MRK 001 021-PD	
	Appr. PTUA/ Roger Karlsson 1999-05-21	Circuit Diagram	
	Resp. dept PTUA/ TPTD	Dir. O/C and E/F prot.	
		Document number	Conf. sh/ No of sh
Based on	ABB ABB Automation Technologies	1MRK001022-PD	
		Lang. 82	Rev. -
			Sheet 2

Document status: Approved