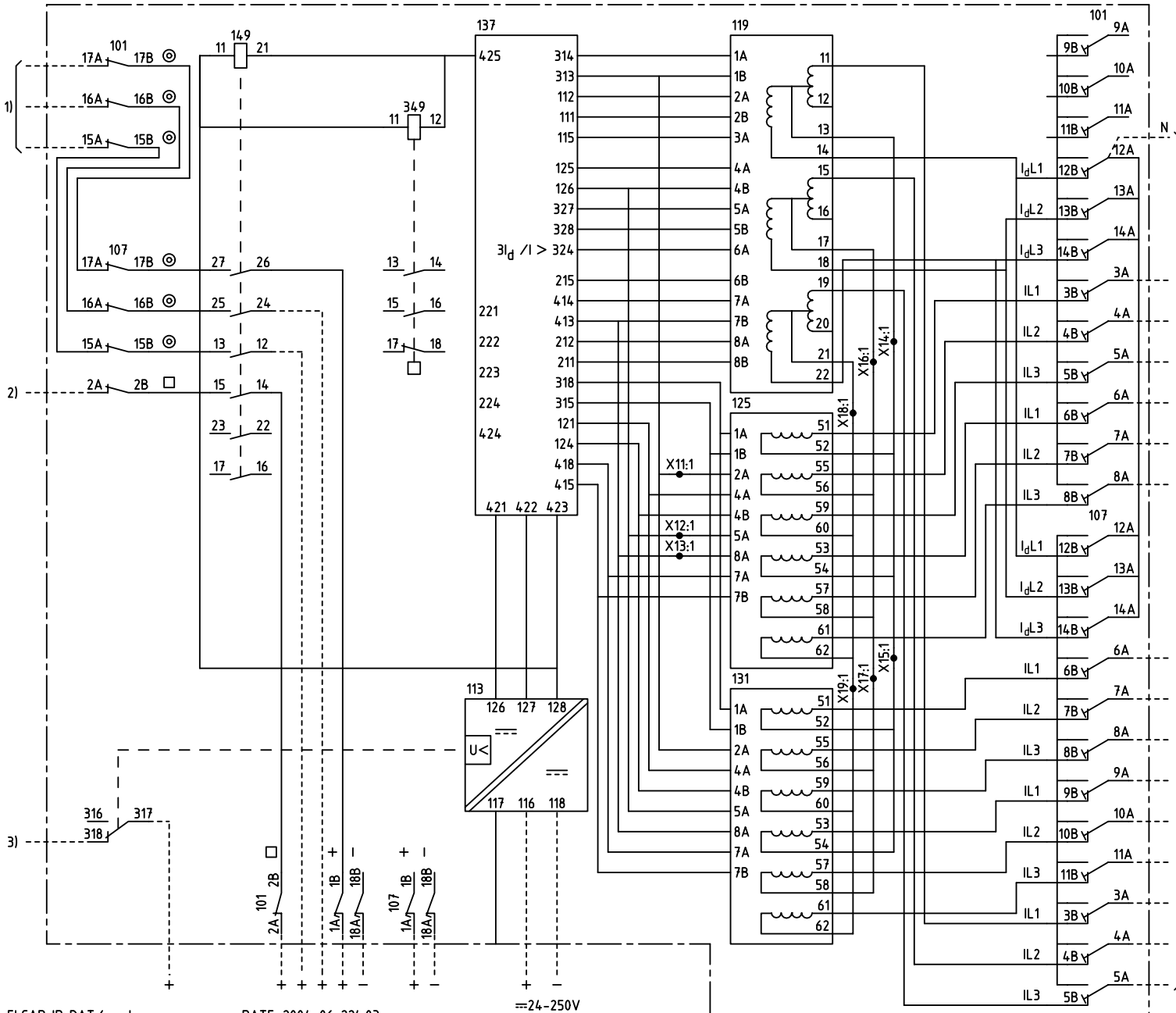


We reserve all rights in this document and in the information contained therein. Reproductions, use for other than intended purposes, or distribution without the written consent of ABB Network Partner AB is strictly forbidden.



$3 I_d / I >$

TRANSFORMER DIFFERENTIAL PROTECTION WITH FIVE INPUT CIRCUIT RESTRAINTS

TRANSFORMATORDIFFERENTIALSKYDD MED FEM STABILISERANDE INGÅNGAR

60C								4U
101	107	113	119	125	131	137	149	
							349	

- 101 107 RTXP 18
- 113 RXTUG 22H
- 119 RTQTB 060
- 125 131 RTQTB 061
- 137 RXDSB 4
- 149 RXMS 1
- 349 RXSF 1

- 1) TRIP ETC.
UTLÖSNING M.M
- 2) ALARM ETC.
SIGNAL M.M
- 3) LOSS OF AUXILIARY VOLTAGE
BORTFALL AV HJÄLPSPÄNNING

ELCAD ID PAT/render DATE 2004-06-224:03 ==24-250V RK 625 006-DA Issued in ARCADE

Prepared 85.34		C-H EINVALL		CIRCUIT DIAGRAM/KRETSSCHEMA		Resp dep PAT		Rev Ind 2 96.45		Lang 82	
Approved 85.34		P JENÄKER		RADSB DIFFERENTIAL PROTECTION		PAT		2 96.45		Sheet 1	
Rev Ind		Revision		Reg No 7454		7454 359-DC		Lang 82		Sheet 1	
Based on		Pcl 890.625		ABB ABB Network Partner AB		7454 359-DC		Lang 82		Cont	