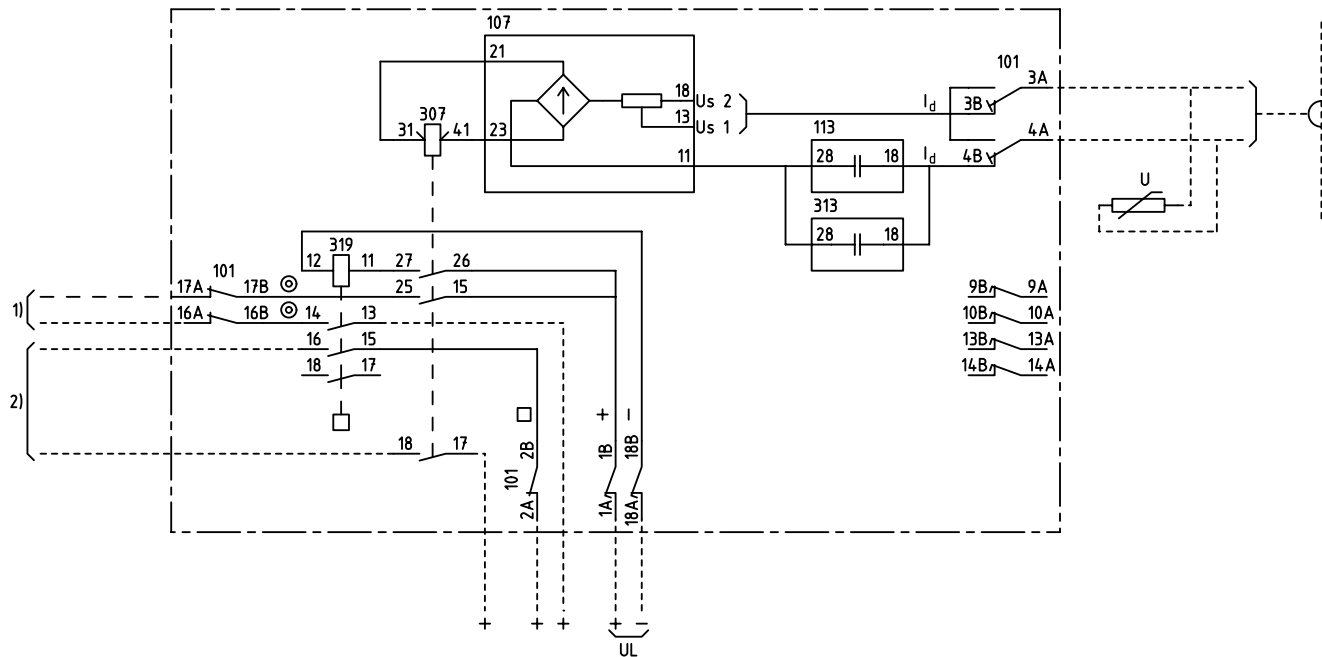


We reserve all rights in this document and in the information contained therein. Reproduction, use for other than intended purposes, or distribution without written permission from ABB Network Partner AB is strictly forbidden.



$I_d >$

HIGH-IMPEDANCE SINGLE-PHASE RESTRICTED EARTH-FAULT PROTECTION FOR  $U_s = 10/15V$   
 ENFAS HÖGIMPEDANS JORDFELSDIFFERENTIALSKYDD FÖR  $U_s = 10/15V$

24C			
101	107	113	
	307	313	319
4U			

101	RTXP	18
107	RXTLA	1
113 313	RXTCA	1
307	RXID	1
319	RXSFS	1

- 1) TRIP ETC.  
UTLÖSNING M.M
- 2) ALARM ETC.  
SIGNAL M.M
- 3) CONNECTED TO 13 (Us1) AT DELIVERY  
VID LEVERANS ANSLUTEN TILL 13 (Us1)

ELCAD ID TPTD/render

DATE 2004-06-2121:48

RK 646 007-FB

Issued in ARCADE

Prepared	86 25		
Approved	86 25		
Rev Ind	Revision	Reg No	7417
Based on	Pcl	890.646	

CIRCUIT DIAGRAM/KRETSSCHEMA  
 RADHD EARTH-FAULT PROTECTION  
 JORDFELSSKYDD  
**ABB** ABB Network Partner AB

Resp dep	TPTD	Rev ind	1 96.45	Lang	82
<b>7417 005-FB</b>				Sheet	1
				Cont	

1

2

3

4

5

6