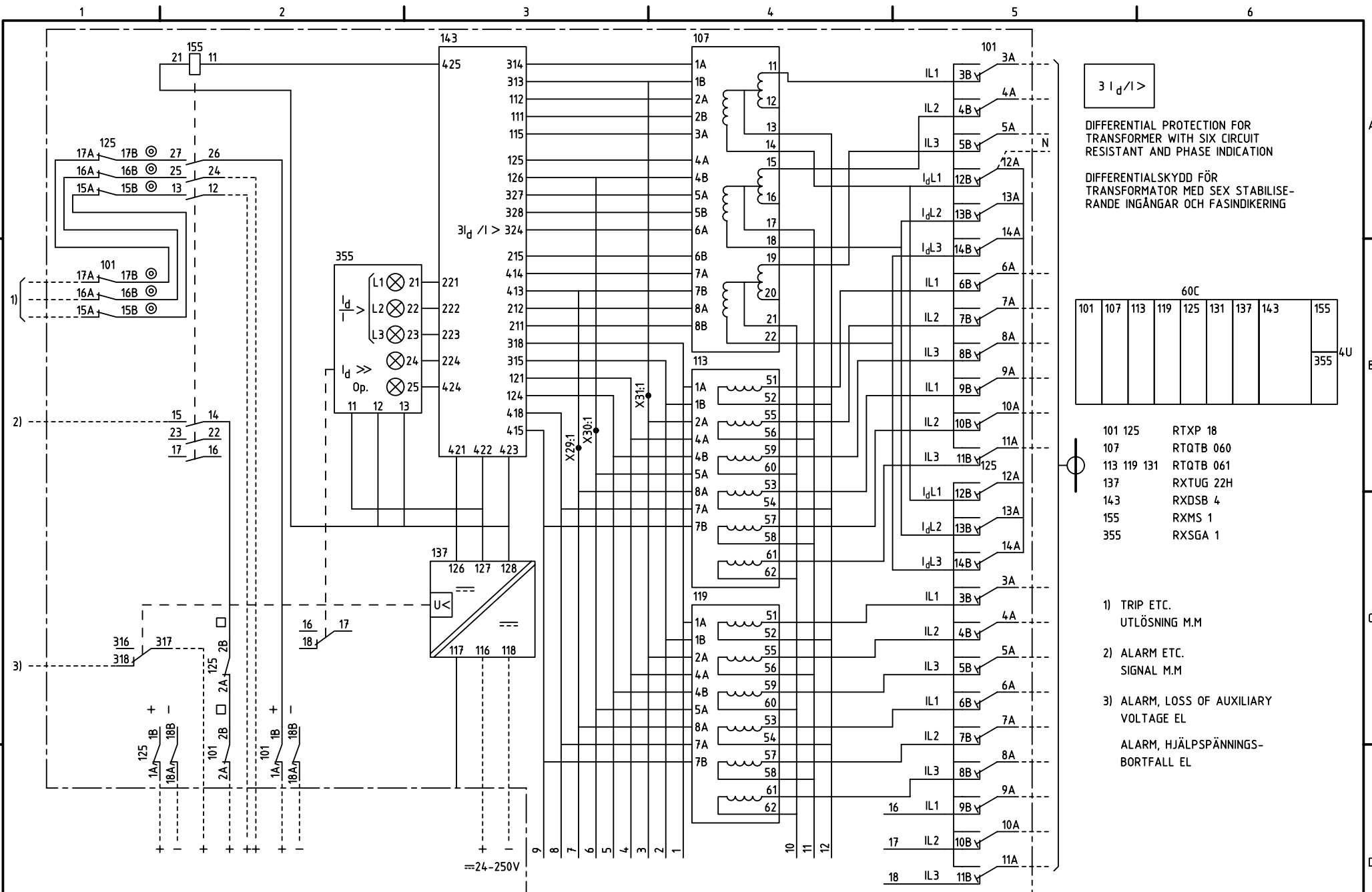


We reserve all rights in this document and in the information contained therein. Reproduction, use or distribution of this document without the written authority of ABB Network Partner AB is strictly forbidden.



$$3 I_d / I >$$

DIFFERENTIAL PROTECTION FOR TRANSFORMER WITH SIX CIRCUIT RESISTANT AND PHASE INDICATION

DIFFERENTIALSKYDD FÖR TRANSFORMATOR MED SEX STABILISERANDE INGÅNGAR OCH FASINDIKERING

101	107	113	119	125	131	137	143	155	
									355
									4U

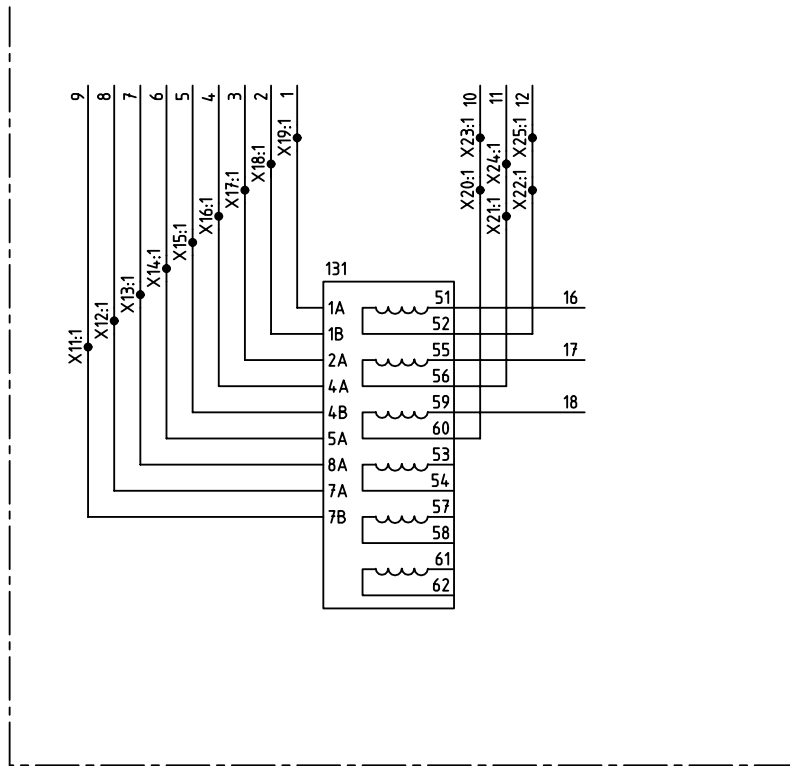
101	125	RTXP	18
107		RTQTB	060
113	119	131	RTQTB 061
137			RXTUG 22H
143			RXDSB 4
155			RXMS 1
355			RXSGA 1

- 1) TRIP ETC.
UTLÖSNING M.M
- 2) ALARM ETC.
SIGNAL M.M
- 3) ALARM, LOSS OF AUXILIARY VOLTAGE EL
ALARM, HJÄLPSPÄNNINGSBORTFALL EL

ELCAD ID PAT/render DATE 2004-06-224:13 RK 625 010-CA Issued in ARCADE

Prepared 85.34		C-H EINVALL		CIRCUIT DIAGRAM/KRETSSCHEMA			
Approved 85.34		P JENÄKER		RADS DIFFERENTIAL PROTECTION			
				DIFFERENTIALSKYDD		Resp dep PAT Rev Ind 2 96.45 Lang 82	
Rev Ind	Revision	Reg No	7454	ABB ABB Network Partner AB		7454 361-CB	
Based on		Pcl	890.625				
						Cont	2

We reserve all rights in this document and in the information contained therein. Reproduction, use for other than the intended purpose, or distribution is strictly forbidden. © ABB Network Partner AB



ELCAD ID PAT/render

DATE 2004-06-224:13

Issued in ARCADE

Prepared 85,34 C-H EINVALL		CIRCUIT DIAGRAM/KRETSSCHEMA	
Approved 85,34 P JENÄKER		RADS B DIFFERENTIAL PROTECTION	
		DIFFERENTIALSKYDD	
Rev Ind	Revision	Reg No 7454	Resp dep PAT
Based on	Pcl 890.625		Rev Ind 2 96.45
		Lang 82	
		Sheet 2	
		Cont	

ABB ABB Network Partner AB

7454 361-CB

1

2

3

4

5

6