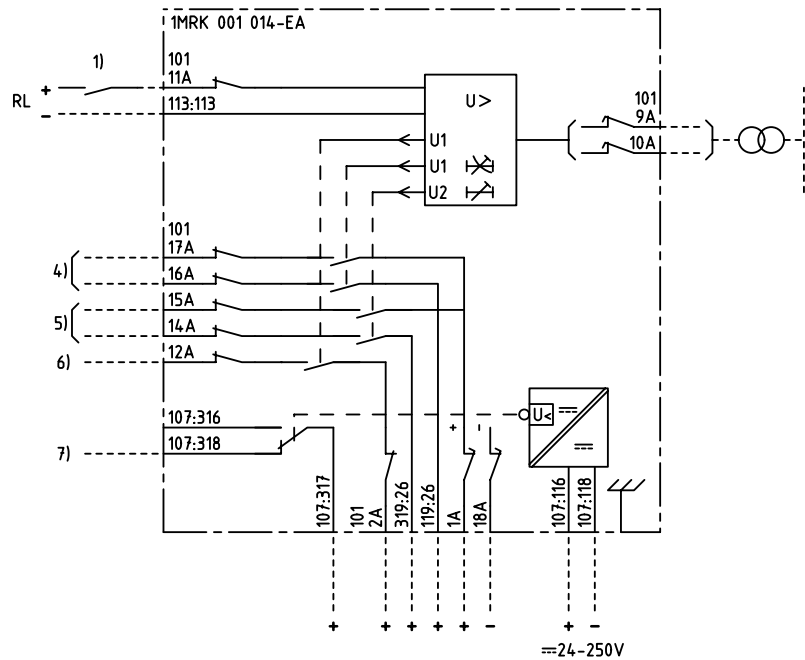


We reserve all rights in this document and in the information contained therein. Reproduction, use for other purposes or distribution without the written consent of ABB Network Partner AB is strictly forbidden.



1-PHASE OVER/UNDERVOLTAGE PROTECTION
 1-FAS SPÄNNINGSSTEGRINGS- /UNDERSPÄNNINGS-SKYDD

- 1) RESETTING OF INDICATION
ÅTERSTÄLLNING AV INDIKERING
- 4) TRIPPING STAGE 1
UTLÖSNING STEG 1
- 5) TRIPPING STAGE 2
UTLÖSNING STEG 2
- 6) START STAGE 1
START STEG 1
- 7) LOSS OF AUXILIARY VOLTAGE
BORTFALL AV HJÄLPSPÄNNING

ELCAD ID TPTD/render DATE 2004-06-2222:22 Issued in ARCADE

Prepared 96-06-17 H RAZA/J ERIKSSON		TERMINAL DIAGRAM/UTTAGSSCHEMA		Resp dep TPTD		Rev ind -		Lang en	
Approved 96-07-02 Peter Jenøker		RAEDK 1 VOLTAGE PROTECTION		1MRK 001 014-EAA		Sheet 1			
Rev Ind Revision		Reg No 7411		ABB ABB Network Partner AB		Cont			
Based on		Pcl 890,461							