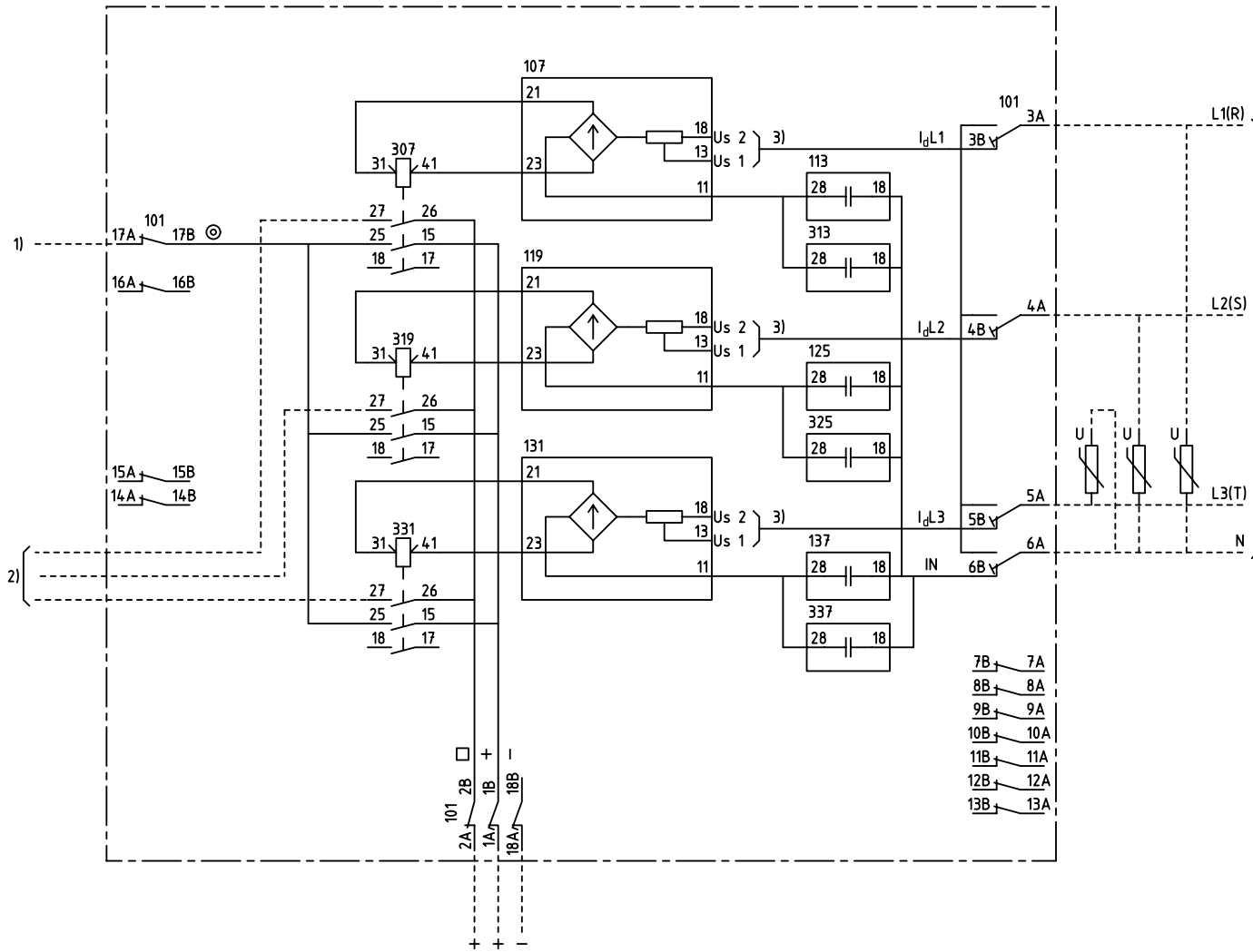


We reserve all rights in this document and in the information contained therein. Reproduction, use for other than intended purposes, or distribution without the written consent of ABB Network Partner AB is strictly forbidden.



$3I_d >$

3-PHASE HIGH-IMPEDANCE DIFFERENTIAL PROTECTION FOR $U_s=10/15V$
 3-FAS DIFFERENTIALSKYDD AV HÖG-IMPEDANSTYP FÖR $U_s=10/15V$

42C						
101	107	113	119	125	131	137
	307	313	319	325	331	337
						4U

- 101 RTXP 18
- 107 119 131 RXTLA 1
- 113 125 137 RXTCA 1
- 313 325 337 RXTCA 1
- 307 319 331 RXID 1

- 1) TRIPPING ETC.
UTLÖSNING M.M
- 2) ALARM ETC.
SIGNAL M.M
- 3) CONNECTED TO 13 (Us 1)
AT DELIVERY
VID LEVERANS ANSLUTEN
TILL 13 (Us 1)