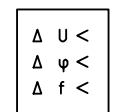
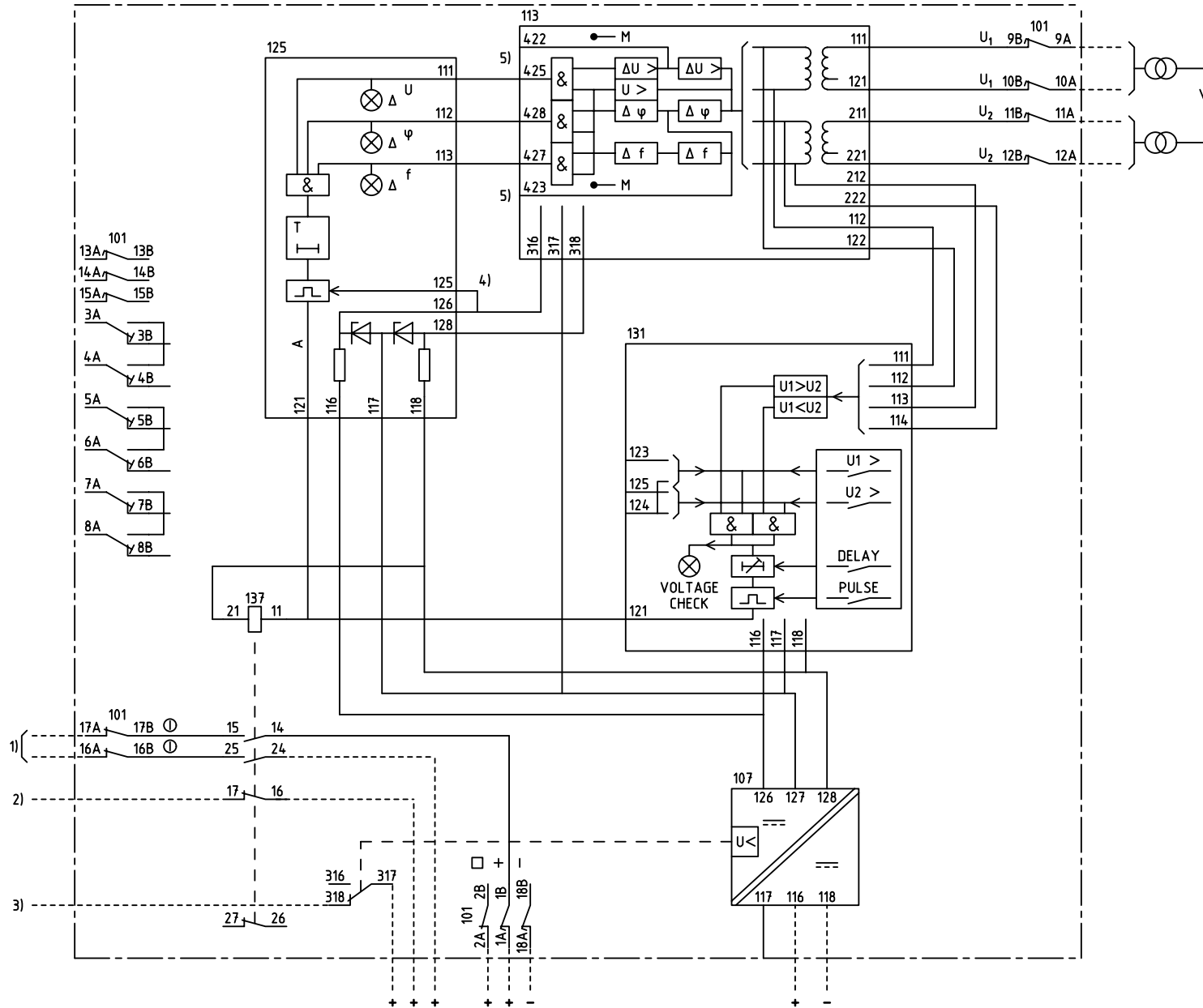
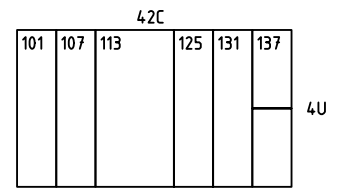


We reserve all rights in this document and in the information contained therein. Reproductions, use for other than intended purposes, or distribution without the written consent of ABB Automation Technologies AB is strictly forbidden.



SYNCHRO-CHECK RELAY WITH  
VOLTAGE ENERGIZING UNIT  
PARALLELLINGSDON MED  
SPÄNNINGSSÄTTNINGSENHET



- 101 RTXP 18
- 107 RXTUG 22H
- 113 RXNAA 4
- 125 RXNAB 2H
- 131 RXNAC 2H
- 137 RXME 1

- 1) CLOSING ETC.  
TILLSLAG M.M
- 2) SUPERVISION ETC.  
ÖVERVAKNING M.M
- 3) ALARM, LOSS OF AUX. VOLTAGE  
SIGNAL, HJÄLPSP.BORTFALL
- 4) FOR CONTINUOUS OUTPUT SIGNAL (A)  
RECONNECT 125:125-125:126 TO  
125:125-125:117  
ÖNSKAS KONTINUERLIG UTGÅNGS-  
SIGNAL (A) KOPPLAS FÖRBINDNING  
125:125-125:126 OM TILL 125:125-125:117
- 5) MEASURING POINT  
MÄTPUNKT

==24-250V

RK 862 001-BD

Customer drw no	Prep. PTUA/ TPTD Eriksson Jill	2002-09-10	Circuit Diagram	Cont. sh/ No of sh
	Appr. PTUA/ SA/DP Jonsson Patrik	2002-09-12	Synchro-check protection	
	Resp. dept PTUA/ TPTD			
Based on	<b>ABB</b> ABB Automation Technologies		Document number <b>5891047-BE</b>	Lang. 82
				Rev. A
				Sheet 1

Document status: Approved