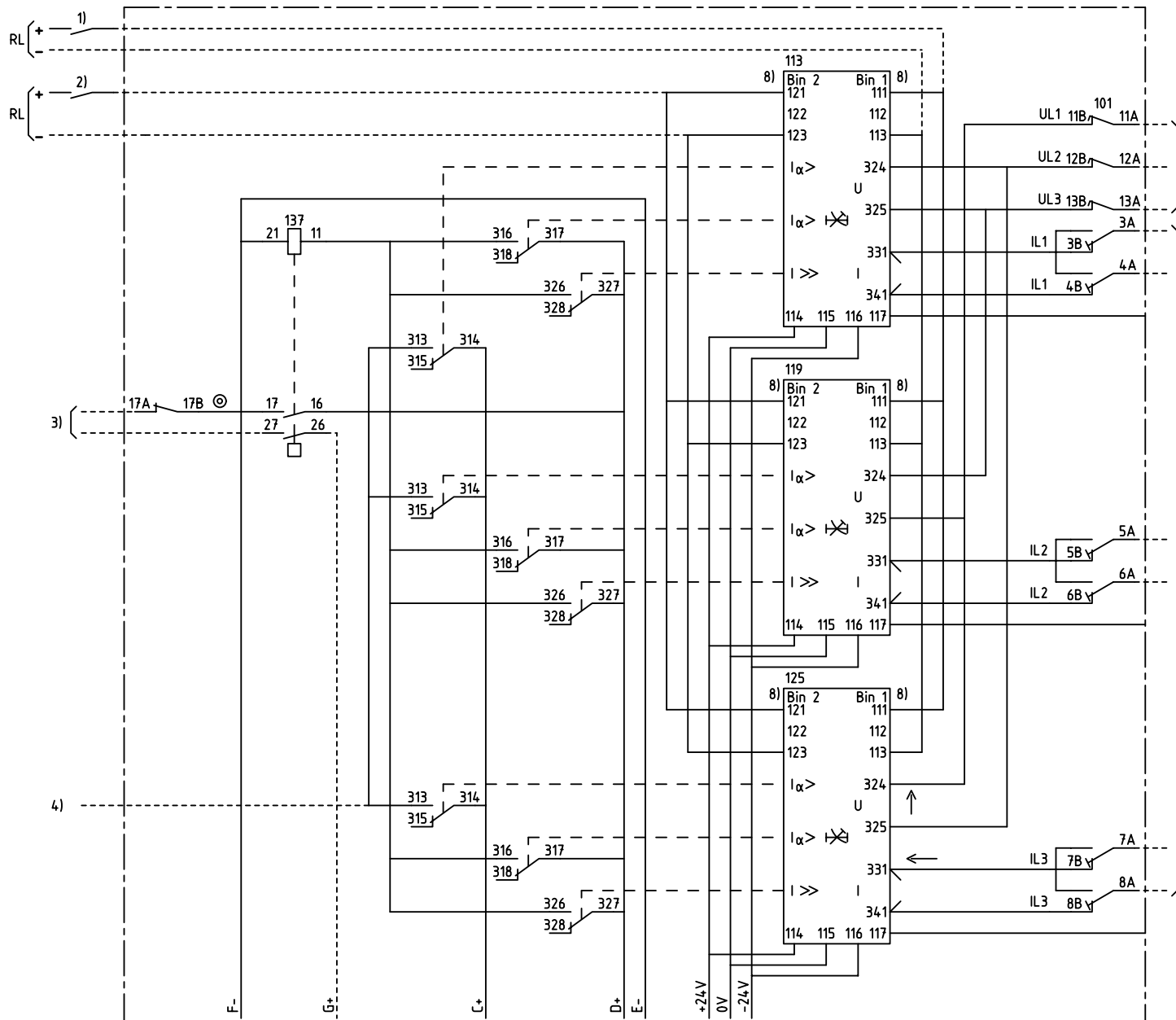
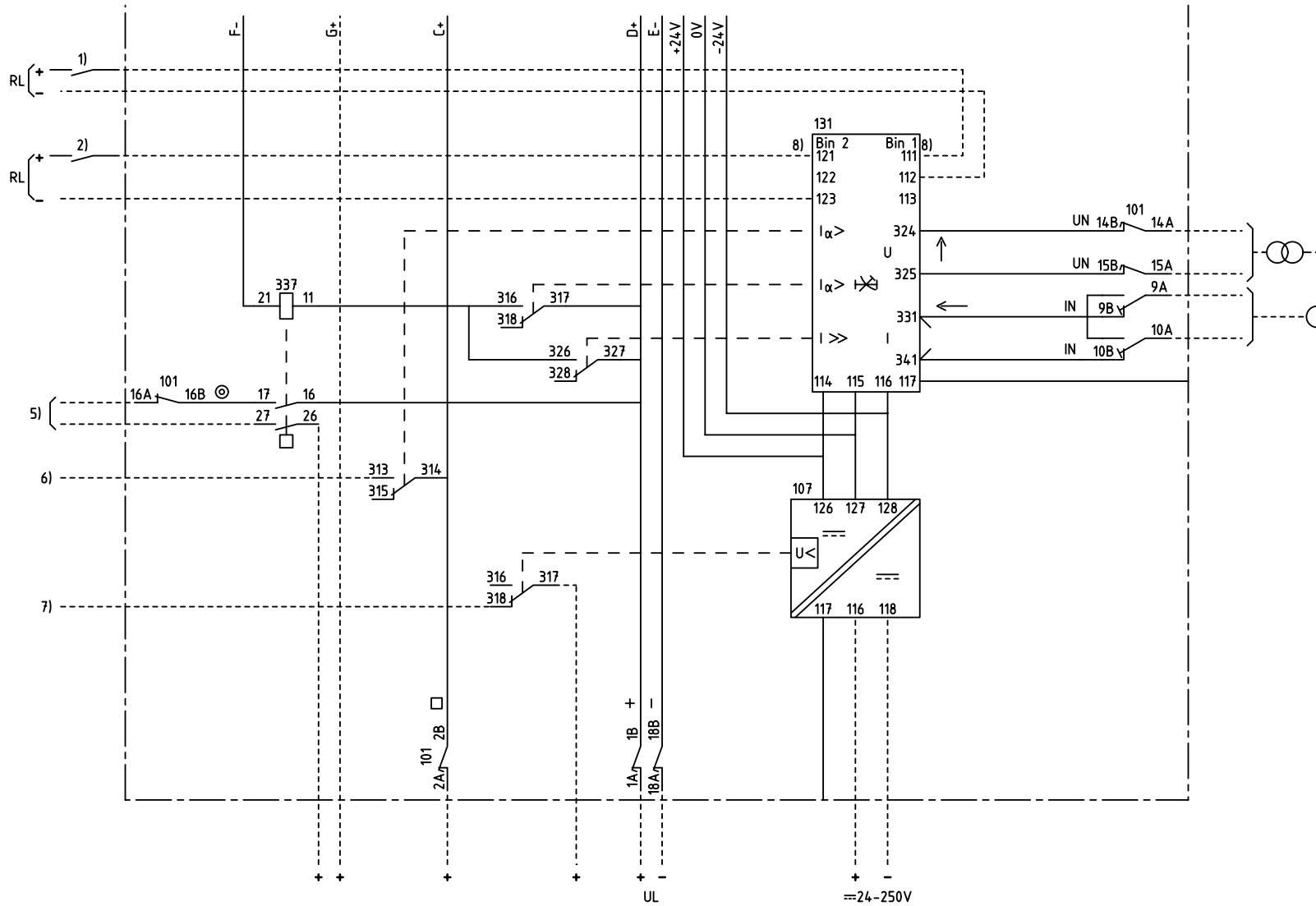


We reserve all rights in this document and in the information contained therein. Reproduction, use or distribution of this document without the written authority of ABB Automation Technologies AB is strictly forbidden. © ABB Automation Technologies AB



We reserve all rights in this document and in the information contained therein. Reproduction, use or distribution of this document without the written authority of ABB Automation Technologies AB is strictly forbidden. © ABB Automation Technologies AB



Customer drw no	Prep. PTUA/ TPTD H Raza/JE	1999-03-29	Circuit Diagram	Conf. sh/ No of sh
	Appr. PTUA/ Roger Karlsson	1999-05-21		
	Resp. dept PTUA/ TPTD		Document number	Lang.
Based on	ABB ABB Automation Technologies		1MRK001022-VB	82
				Rev.
				Sheet
				2

Document status: Approved