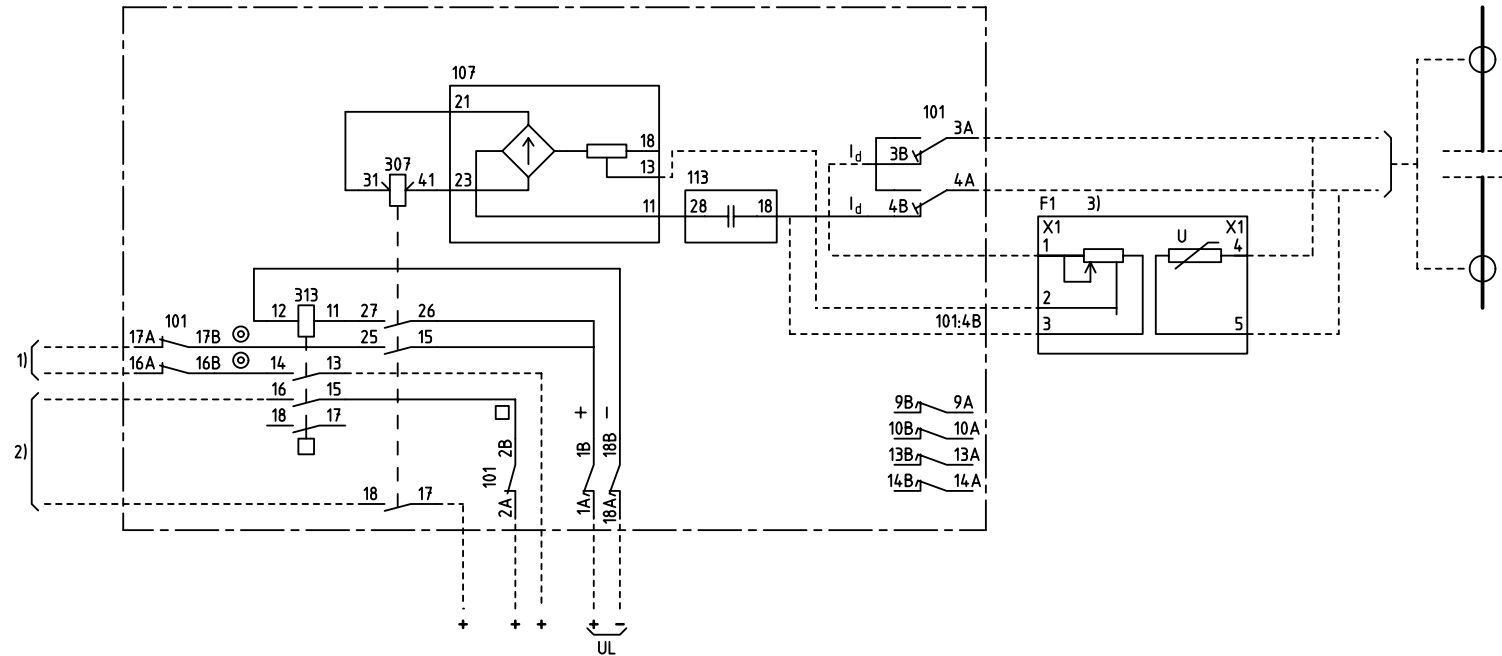


We reserve all rights in this document and in the information contained therein. Reproduction, use for other than intended purposes, or distribution without the written consent of ABB Automation Technologies AB is strictly forbidden.



$I_d >$

1-PHASE HIGH-IMPEDANCE DIFFERENTIAL PROTECTION FOR $U_s=(100)-400V$
 1-FAS HÖGIMPEDANS DIFFERENTIALSKYDD FÖR $U_s=(100)-400V$

18C			4U
101	107	113	
	307	313	

- 101 RTXP 18
- 107 RXTLA 1
- 113 RXTCA 1
- 307 RXID 1
- 313 RXSF 1
- F1 RESISTOR UNIT
MOTSTÄNDSENHET

- 1) TRIP ETC.
UTLÖSNING M.M
- 2) ALARM ETC.
SIGNAL M.M
- 3) SEPARATELY MOUNTED
SEPARAT MONTERAD

Customer drw no	Prep. PTUA/ TPTD Eriksson Jill 2002-02-14	RK 646 016-CA Circuit Diagram	Cont. sh/ No of sh
	Appr. PTUA/ SA/ATD Jonsson Patrik 2002-02-15		
	Resp. dept PTUA/ TPTD	Document number	Sheet
Based on	ABB ABB Automation Technologies	7417032-CA	1
		Lang. 82	Rev. B

Document status: Approved