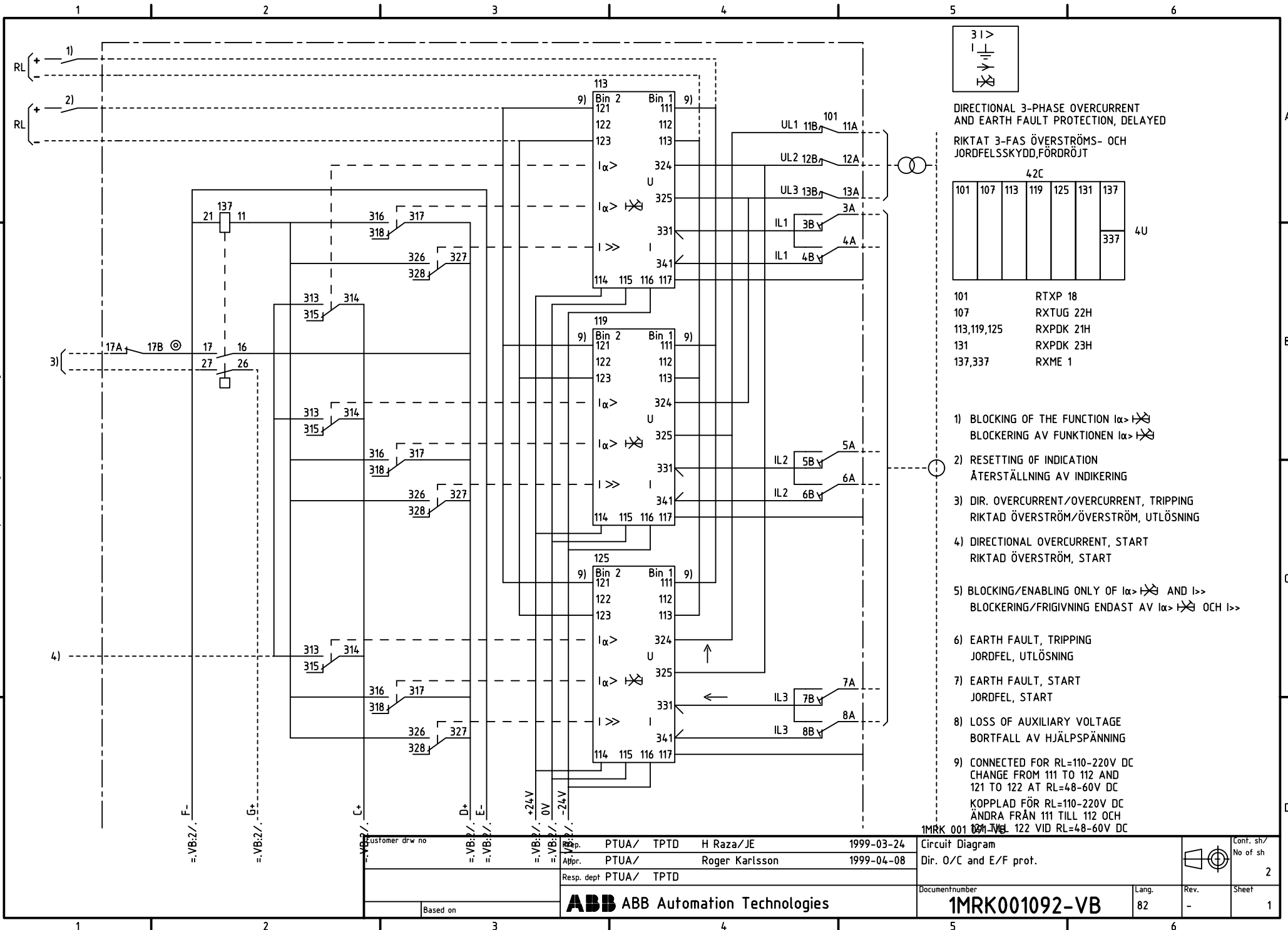


We reserve all rights in this document and in the information contained therein. Reproduction, use for other than intended purposes, or distribution is strictly forbidden. © ABB Automation Technologies AB



1MRK 001 092-VB

Circuit Diagram

Dir. O/C and E/F prot.



Conf. sh/  
No of sh

2

**ABB** ABB Automation Technologies

Document number  
**1MRK001092-VB**

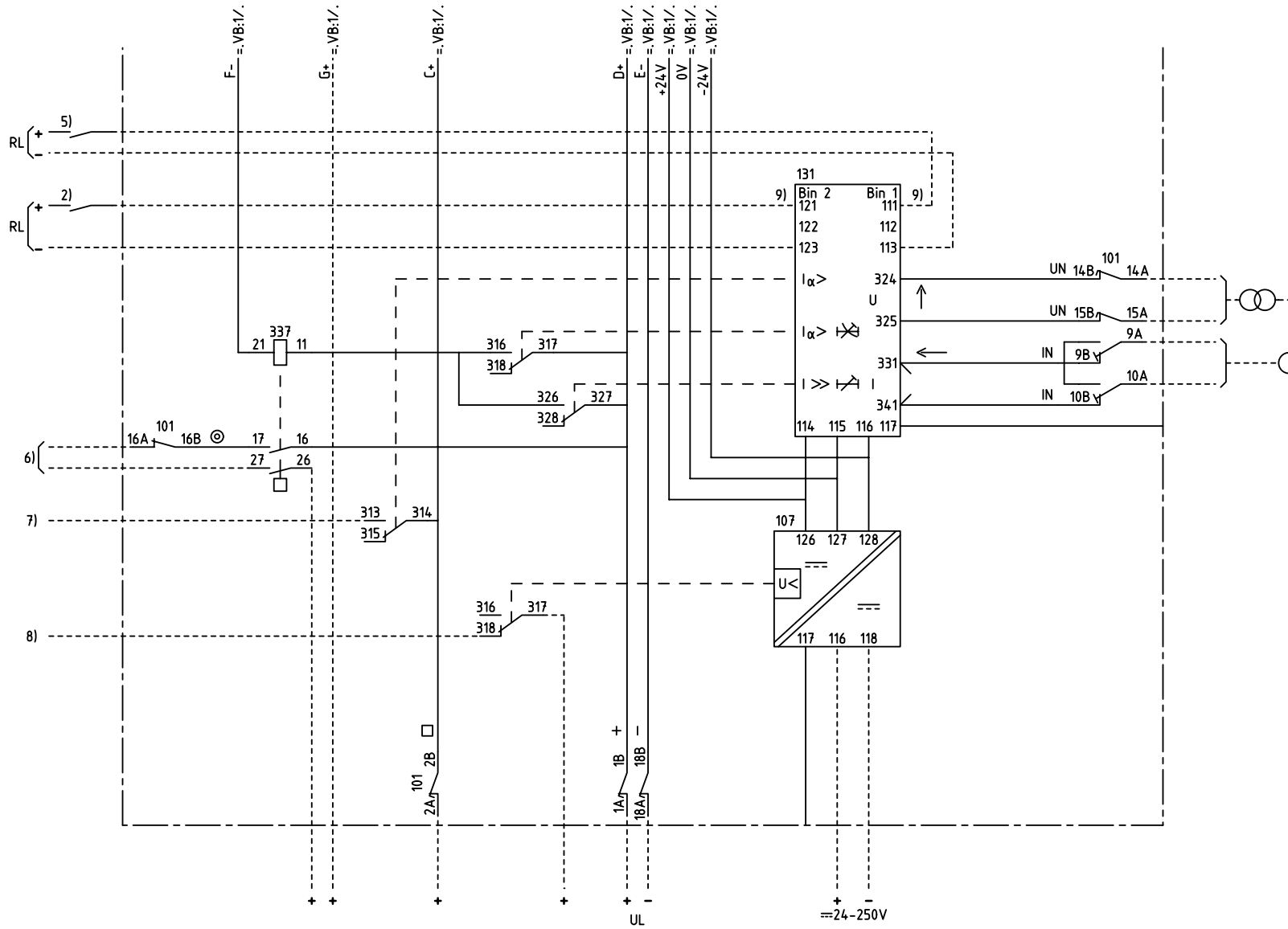
Lang.  
82

Rev.  
-

Sheet  
1

Document status: Approved

We reserve all rights in this document and in the information contained therein. Reproduction, use for other than intended purposes, or distribution without the written permission of ABB Automation Technologies AB is strictly forbidden. © ABB Automation Technologies AB



Customer drw no	Prep. PTUA/ TPTD H Raza/JE	1999-03-24	Circuit Diagram	Conf. sh/ No of sh
	Appr. PTUA/ Roger Karlsson	1999-04-08		
	Resp. dept PTUA/ TPTD		Document number	Lang.
Based on	<b>ABB</b> ABB Automation Technologies		<b>1MRK001092-VB</b>	82
			Rev.	Sheet
			-	2

Document status: Approved