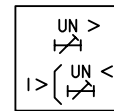
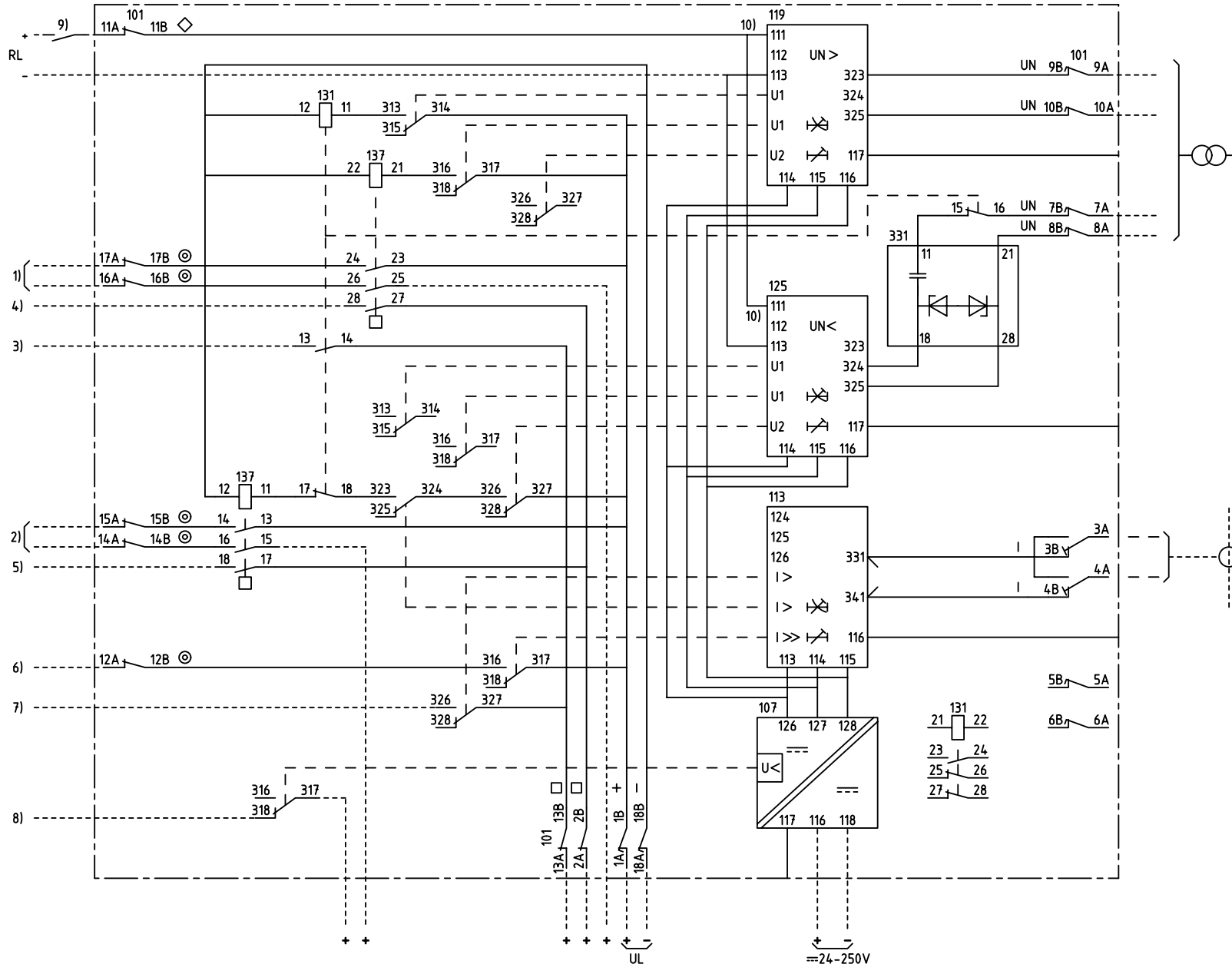


We reserve all rights in this document and in the information contained therein. Reproduction, use for other than intended purposes, or distribution without the written consent of ABB Automation Technologies AB is strictly forbidden.



100% STATOR E/F PROTECTION WITH CURRENT SUPERVISION  
 100% STATORJORDFELSSKYDD MED STRÖMSÖVERVAKNING

|     |     |     |     |     |     |
|-----|-----|-----|-----|-----|-----|
| 42C |     |     |     |     |     |
| 101 | 107 | 113 | 119 | 125 | 131 |
|     |     |     |     |     | 137 |
|     |     |     |     | 331 |     |
| 4U  |     |     |     |     |     |

- 101 RTXP 18
- 107 RXTUG 22H
- 113 RXIDK 2H
- 119,125 RXEDK 2H
- 131 RXMB 1
- 137 RXSF 1
- 331 RXTDA 1

- 1) TRIPPING 0-95%  
UTLÖSNING 0-95%
- 2) TRIPPING 95-100%  
UTLÖSNING 95-100%
- 3) START INDICATION 0-95%  
START INDIKERING 0-95%
- 4) TRIPPING ALARM 0-95%  
UTLÖSNING SIGNAL 0-95%
- 5) TRIPPING ALARM 95/100%  
UTLÖSNING SIGNAL 95-100%
- 6) TRIPPING OVERCURRENT  
UTLÖSNING ÖVERSTRÖM
- 7) START, INDICTION CURRENT  
START, INDIKERING STRÖM
- 8) LOSS OF AUXILIARY VOLTAGE  
BORTFALL AV HJÄLPSPÄNNING
- 9) RESETTING OF INDICATION  
ÅTERSTÄLLNING AV INDIKERING
- 10) CONNECTED FOR RL=110-220V DC.  
CHANGE FROM 111 TO 112 AT RL=48-60V DC.  
KOPPLAD FÖR RL=110-220V DC  
ÄNDRA FRÅN 111 TILL 112 VID RL=48-60V DC.

|                 |  |                      |                               |
|-----------------|--|----------------------|-------------------------------|
| Customer drw no | Prep. PTUA/ TPTD H Raza/1MRK 001 053-CB 2000-04-17 | Circuit Diagram      | Issued in  AREADE<br>No of sh |
|                 | Appr. PTUA/ Roger Karlsson 2000-04-17              |                      |                               |
|                 | Resp. dept PTUA/ TPTD                              | Document number      | Lang. Rev. Sheet              |
|                 |  | <b>1MRK001054-CB</b> | 82 A 1                        |
| Based on        | <b>ABB</b> ABB Automation Technologies             |                      |                               |

Document status: Approved