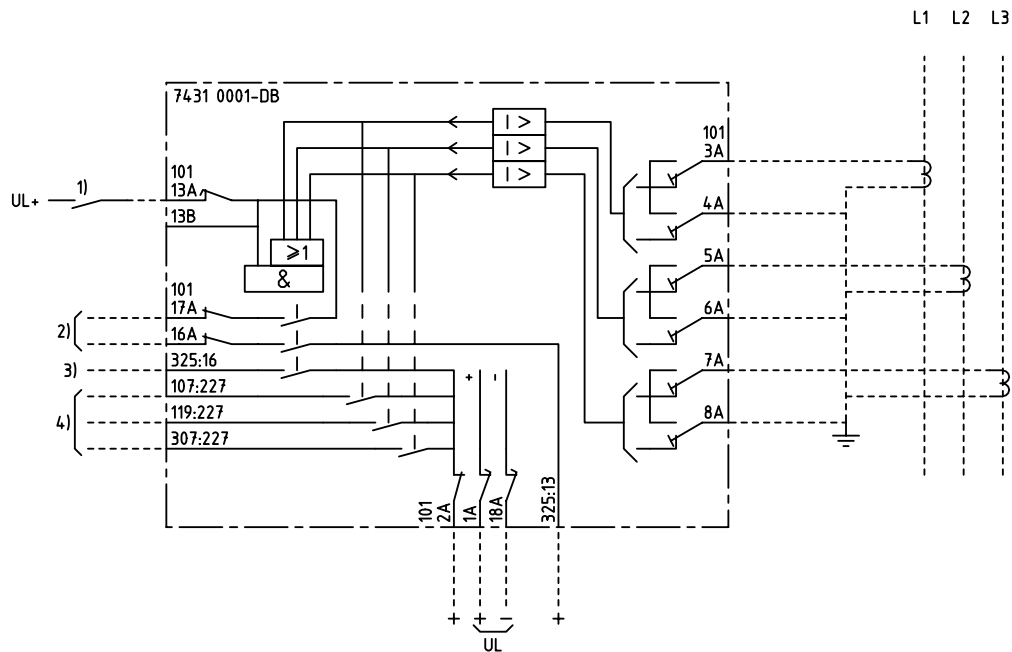


We reserve all rights in this document and in the information contained therein. Reproduction, use for other than intended purposes, without the written consent of ABB Network Partner AB is strictly forbidden.



- | |
|-----|
| 3I> |
|-----|
- 3-PHASE OVERCURRENT PROTECTION,
 INSTANTANEOUS
 3-FAS ÖVERSTRÖMSSKYDD,
 MOMENTANT
- 1) ENABLING ETC.
FRIGIVNING M.M.
 - 2) TRIPPING ETC.
UTLÖSNING M.M.
 - 3) ALARM ETC.
SIGNAL M.M.
 - 4) BLOCK, INDICATING ETC.
BLOCK, INDIKERING M.M.

ELCAD ID PAT/render

DATE 2004-06-221:45

Issued in ARCADE

Prepared 81 28 C-H EINVALL		TERMINAL DIAGRAM/UTTAGSSCHEMA			
Approved 81 28 P JENÄKER		3-PHASE OVERCURRENT PROTECTION			
		3-FAS ÖVERSTRÖMSSKYDD		Resp dep PAT	Rev Ind 2 96 45
Rev Ind	Revision	Reg No 7431	ABB Network Partner AB	7431 0001-DBA	
Based on		Pcl 890.651		Lang 82	Sheet 1
				Cont	