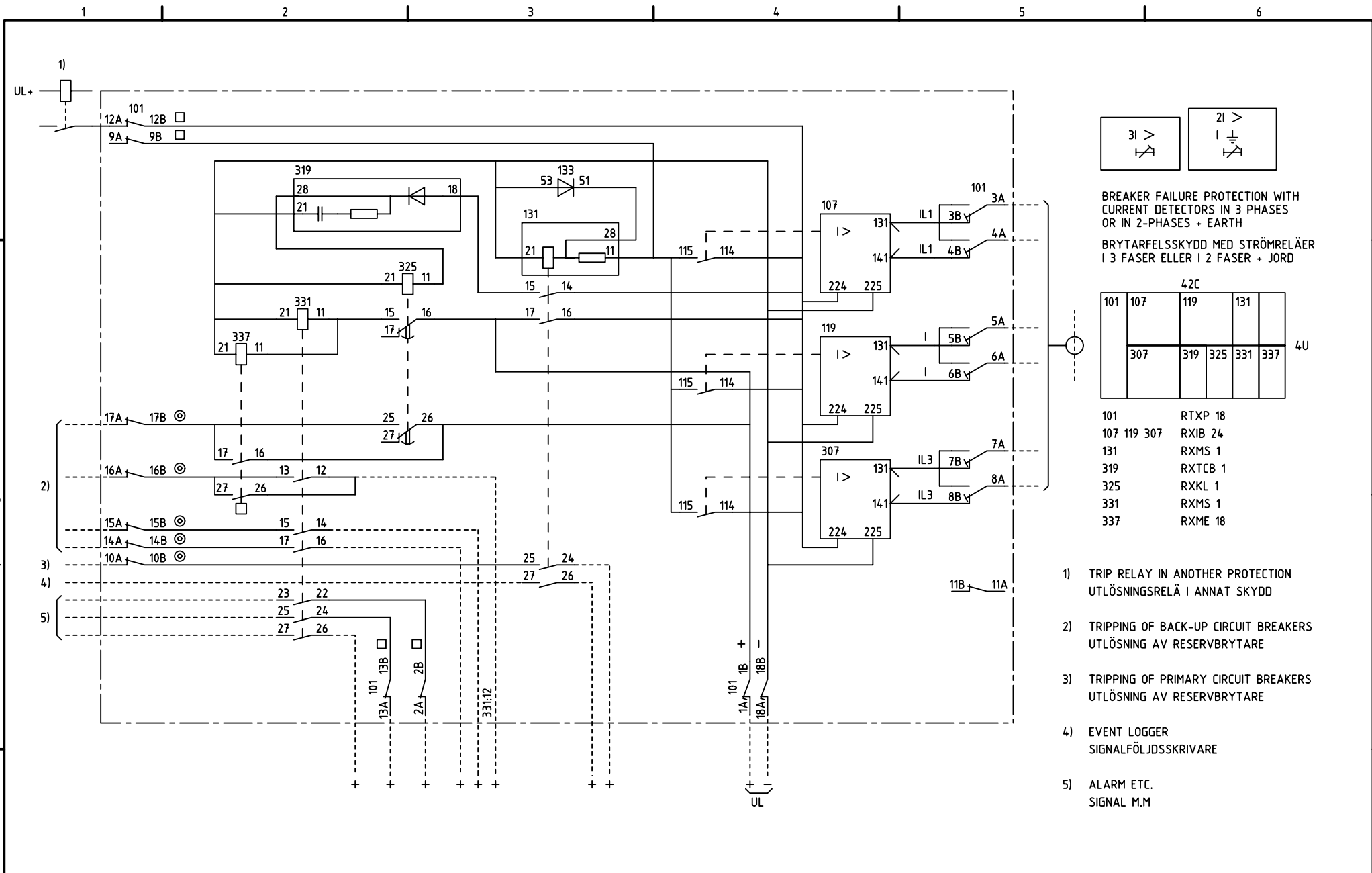


We reserve all rights in this document and in the information contained therein. Reproductions, use for other than intended purposes or in any manner whatsoever is strictly forbidden. © ABB Network Partner AB



BREAKER FAILURE PROTECTION WITH CURRENT DETECTORS IN 3 PHASES OR IN 2-PHASES + EARTH  
 BRYTARFELSSKYDD MED STRÖMRELÄER I 3 FASER ELLER I 2 FASER + JORD

42C				
101	107	119	131	
	307	319	325	331
				337

4U

101	RTXP	18
107 119 307	RXIB	24
131	RXMS	1
319	RXTCB	1
325	RXKL	1
331	RXMS	1
337	RXME	18

- 1) TRIP RELAY IN ANOTHER PROTECTION  
UTLÖSNINGSRELÄ I ANNAT SKYDD
- 2) TRIPPING OF BACK-UP CIRCUIT BREAKERS  
UTLÖSNING AV RESERVBRYTARE
- 3) TRIPPING OF PRIMARY CIRCUIT BREAKERS  
UTLÖSNING AV RESERVBRYTARE
- 4) EVENT LOGGER  
SIGNALFÖLJDSSKRIVARE
- 5) ALARM ETC.  
SIGNAL M.M

ELCAD ID TPTD/render      DATE 2004-06-220:07      RK 651 036-BA      Issued in ARCADE

Prepared 88.35		C-H EINVALL		CIRCUIT DIAGRAM/KRETSSCHEMA		Resp dep TPTD		Rev ind 3 96.45		Lang 82	
Approved 88.35		Peter Jenøker		RAICA BREAKER FAILURE PROTECTION		7429		7429 0022-BA		Sheet 1	
Rev Ind		Revision		Reg No 7429		Based on		Pcl 890.651		Cont	

**ABB** ABB Network Partner AB

**7429 0022-BA**