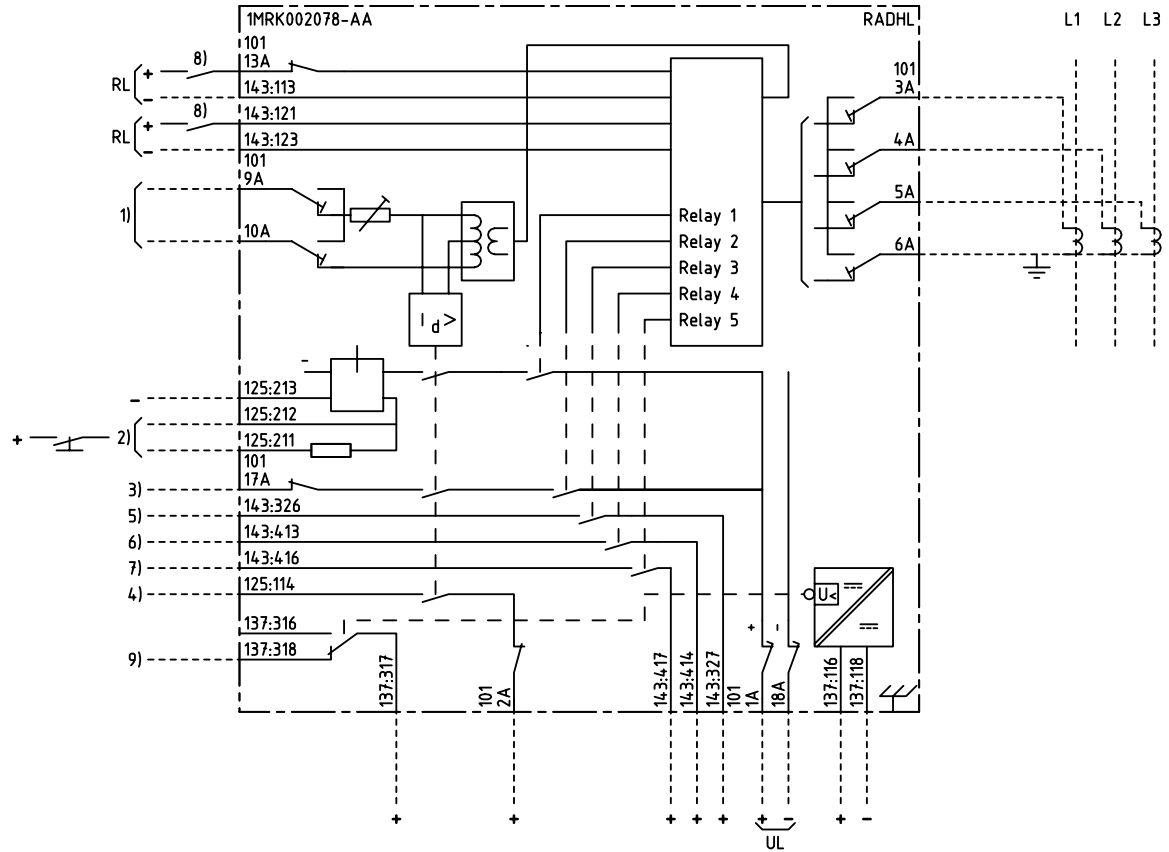


We reserve all rights in this document and in the information contained therein. Reproductions, use or distribution of this document without the written consent of ABB Automation Technologies AB is strictly forbidden.



$I_d >$

54C				
101	107	125	137	143

4U

- 101 RTXP 18
- 107 TRANSFORMER UNIT
- 125 RXDHL 4
- 137 RXTUG 22H
- 143 RXHL 401/411

- 1) PILOT-WIRES
- 2) RESETTING
AT 110-250V DC CONNECT TO 211
AT 24-55V DC CONNECT TO 212
- 3) TRIPPING ETC.
- 4) ALARM ETC.
- 3)-7) RELAY OUTPUTS
PROGRAMMABLE FUNCTION RELAY 1-5
- 8) BINARY INPUT, PROGRAMMABLE
- 9) LOSS OF AUXILIARY VOLTAGE

Customer drw no	Prep. PTUA/ TPTD Eriksson Jill	2003-03-07	Connection Diagram Differential protection			Conf. sh/ No of sh
	Appr. PTUA/ SA/DP Jonsson Patrik	2003-04-15				
	Resp. dept PTUA/ TPTD		Document number		Lang.	Rev.
Based on	ABB ABB Automation Technologies		1MRK002078-AAA		en	-
			Sheet			1

Document status: Approved