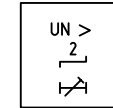
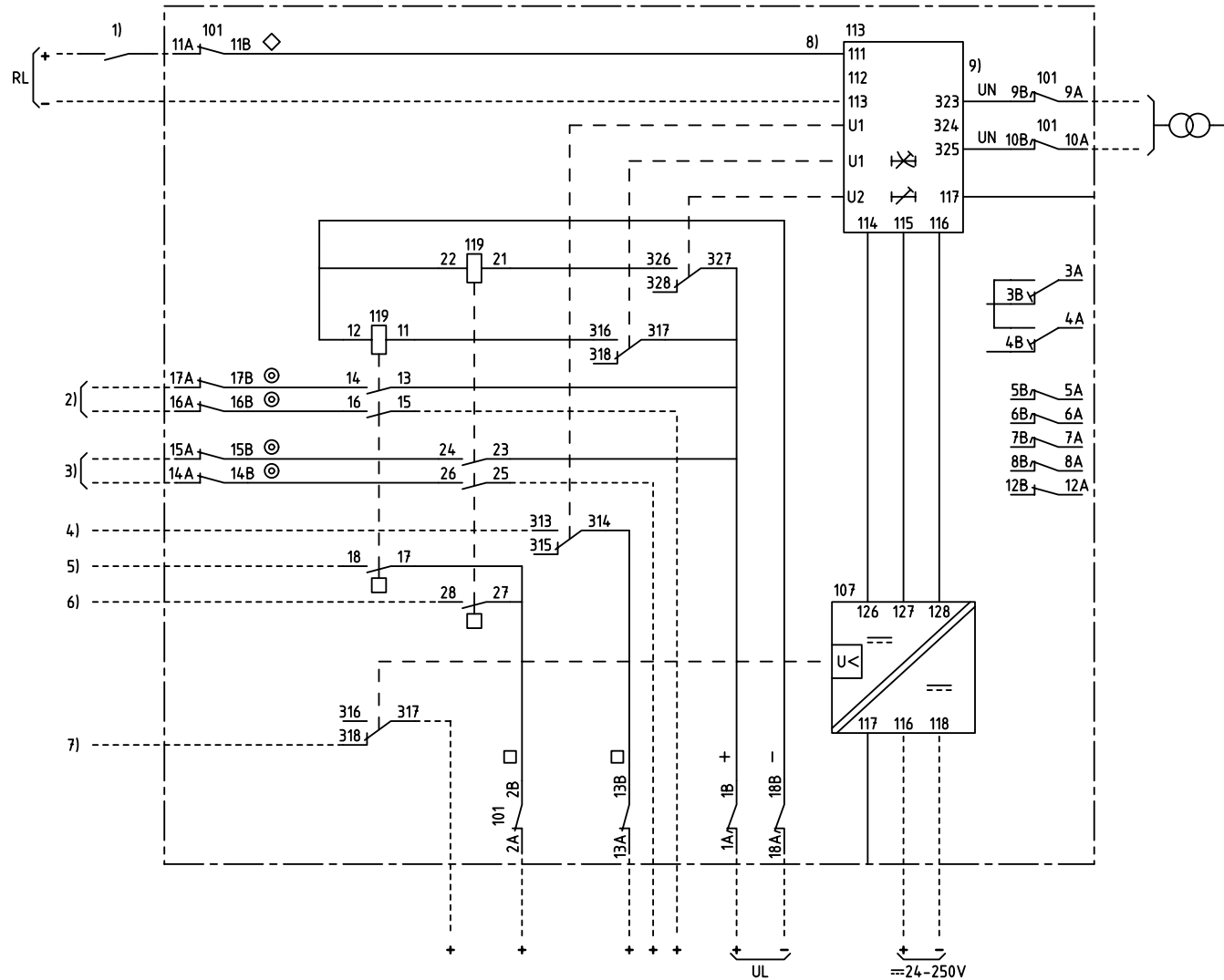
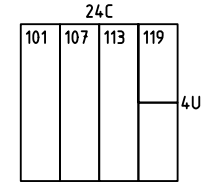


We reserve all rights in this document and in the information contained therein. Reproductions, use for other purposes or distribution without the written consent of ABB Network Partner AB is strictly forbidden.



95% STATOR E/F PROTECTION 2-STAGE
95% STATORJORDFELSSKYDD 2-STEG



- 101 RTXP 18
- 107 RXTUG 22H
- 113 RXEDK 2H
- 119 RXSF 1

- 1) RESETING OF INDICATION
ÅTERSTÄLLNING AV INDIKERING
- 2) TRIPPING STAGE 1
UTLÖSNING STEG 1
- 3) TRIPPING STAGE 2
UTLÖSNING STEG 2
- 4) START INDICATION
START INDIKERING
- 5) ALARM STAGE 1
SIGNAL STEG 1
- 6) ALARM STAGE 2
SIGNAL STEG 2
- 7) LOSS OF AUXILIARY VOLTAGE
BORTFALL AV HJÄLPSPÄNNING
- 8) CONNECTED FOR RL=110-220V DC
CHANGE FROM 111 TO 112 AT RL=48-60V DC
KOPPLAD FÖR RL=110-220V DC
ÄNDRA FRÅN 111 TILL 112 VID RL=48-60V DC
- 9) CONNECTED FOR Ur=50V AC
KOPPLAD FÖR Ur=50V vs

ELCAD ID TPTD/render

DATE 2004-06-222:16

1MRK 001 053-AB

Issued in ARCADE

Prepared 94-11-02 C-H EINVALL/J ERIKSSON		CIRCUIT DIAGRAM/KRETSSCHEMA		Resp dep TPTD		Rev ind 1 96.21		Lang 82	
Approved 96-04-11 Peter Jenøker		RAGEK 95% STATOR E/F PROTECTION		RAGEK 95% STATORJORDFELSSKYDD		1MRK 001 054-AB		Sheet 1	
Rev Ind	Revision	Reg No	7411	ABB ABB Network Partner AB		1MRK 001 054-AB		Cont	
Based on		Pcl	890 461						