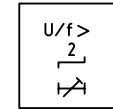
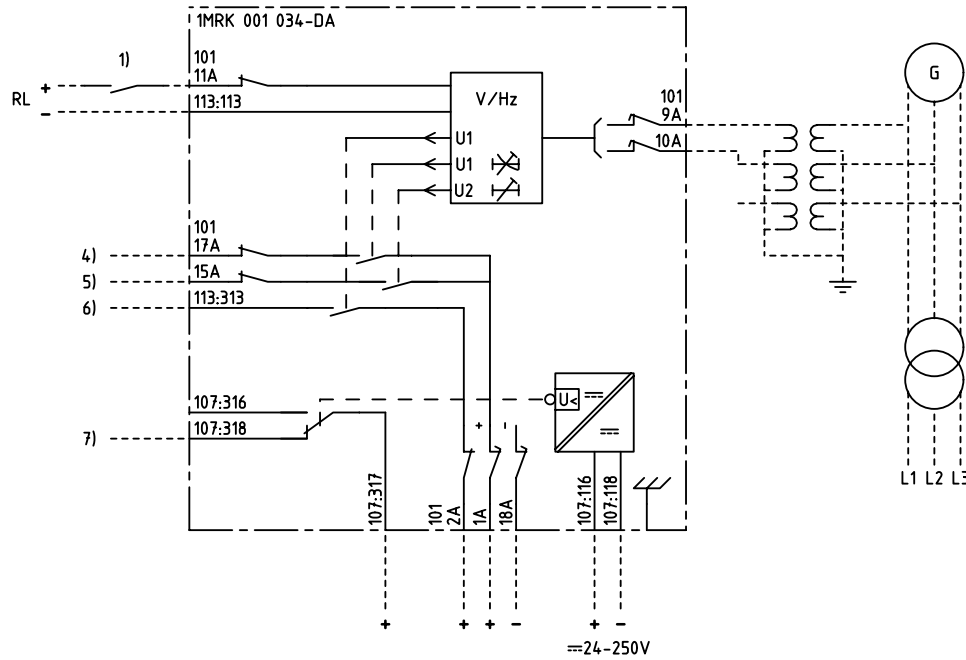


We reserve all rights in this document and in the information contained therein. Reproduction, use for other than intended purposes, or distribution without the written permission of ABB Network Partner AB is strictly forbidden.



TRANSFORMER OVEREXCITATION PROTECTION
 ÖVERMAGNETISERINGSSKYDD FÖR TRANSFORMATOR

- 1) RESETTING OF INDICATION
ÅTERSTÄLLNING AV INDIKERING
- 4) TRIPPING STAGE 1
UTLÖSNING STEG 1
- 5) TRIPPING STAGE 2
UTLÖSNING STEG 2
- 6) START STAGE 1
START STEG 1
- 7) LOSS OF AUXILIARY VOLTAGE
BORTFALL AV HJÄLPSPÄNNING

ELCAD ID TPTD/render

DATE 2004-06-2222:20

Issued in ARCADE

Prepared 96-07-04 H RAZA/J ERIKSSON		TERMINAL DIAGRAM/UTTAGSSCHEMA		Resp dep TPTD		Rev Ind -		Lang en	
Approved 96-08-28 Peter Jenøker		RALK 1 TRANS OVEREXCITATION PROT		Sheet 1		Cont			
Rev Ind		Revision		Reg No 7411		Pcl 890.561		Based on	
				ABB ABB Network Partner AB		1MRK 001 034-DAA			

1

2

3

4

5

6