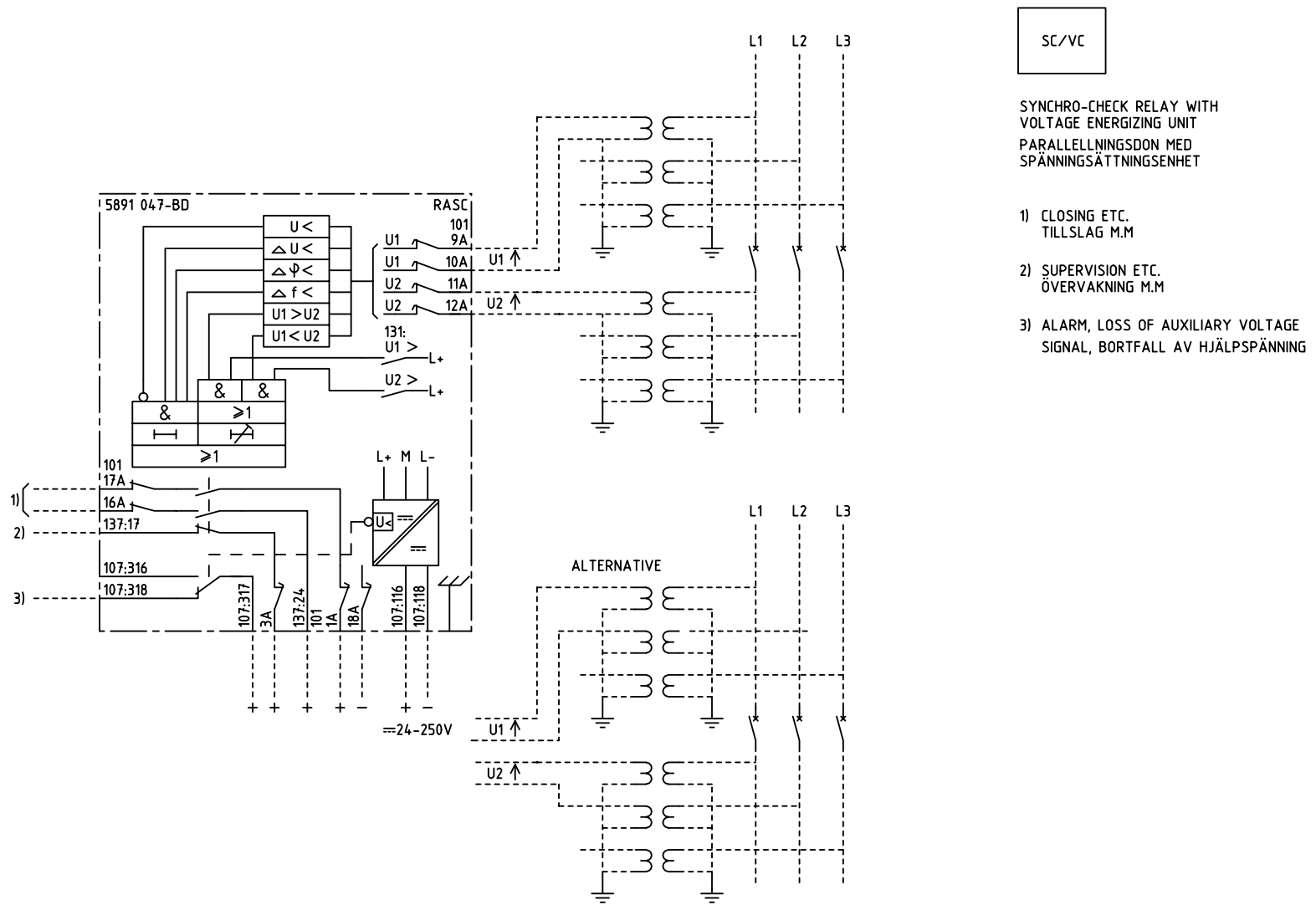


We reserve all rights in this document and in the information contained therein. Reproduction, use for other than intended purposes, or distribution without the written consent of ABB Network Partner AB is strictly forbidden.



ELCAD ID TPTD/render

DATE 2004-06-224:41

Issued in ARCADE

Prepared 86.47		C-H EINVALL		TERMINAL DIAGRAM/UTTAGSSCHEMA			
Approved 86.47		Peter Jenøker		RASC SYNCRO-CHECK RELAY			
				RASC PARALLELLNINGSDON		Resp dep TPTD	
Rev Ind		Revision		Reg No 5891		Rev Ind 1 96.45	
Based on		Pcl 890.862		ABB ABB Network Partner AB		Lang 82	
				5891 047-BDA		Sheet 1	
						Cont	

1

2

3

4

5

6