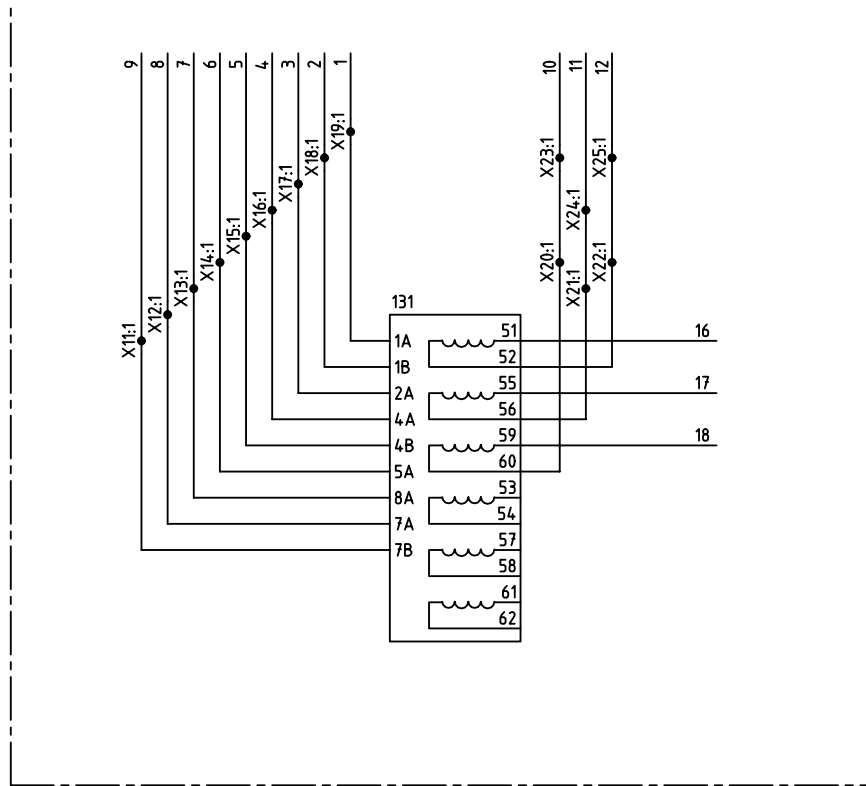




We reserve all rights in this document and in the information contained therein. Reproduction, use for other purposes or distribution without the written consent of ABB Network Partner AB is strictly forbidden.



ELCAD ID PAT/render

DATE 2004-06-234:17

Issued in ARCADE

		Prepared 94,41	C-H EINVALL	CIRCUIT DIAGRAM/KRETSSCHEMA			
		Approved 94,41	P JENÄKER	RADSC DIFFERENTIAL PROTECTION			
				DIFFERENTIALSKYDD		Resp dep PAT	Rev Ind 1 96.45
Rev Ind	Revision	Reg No 1MRK		<b>ABB</b> ABB Network Partner AB		<b>1MRK 000 320-DA</b>	
Based on		Pcl 890.000				Lang 82	Sheet 2
						Cont	

1

2

3

4

5

6