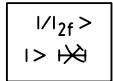
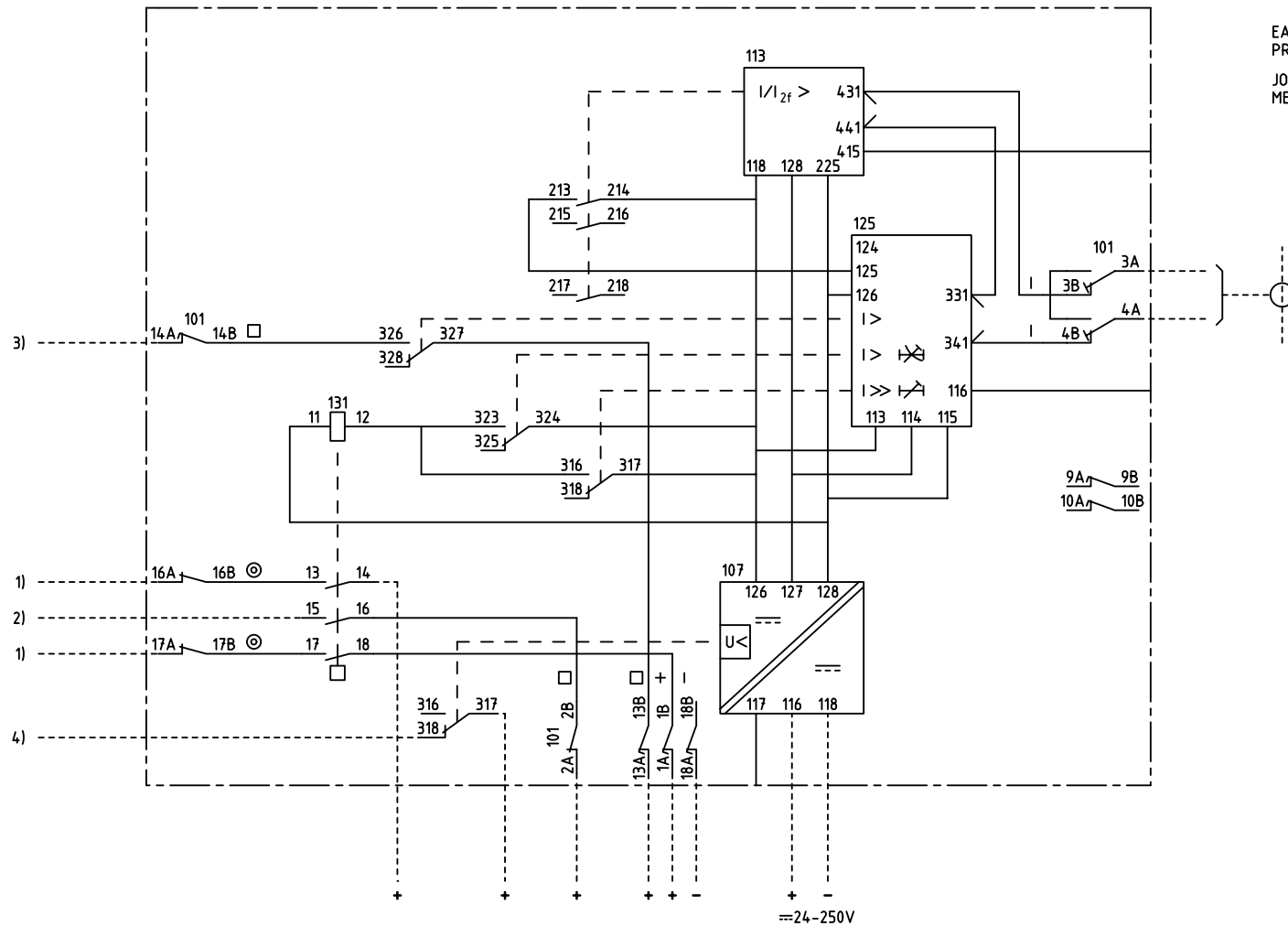
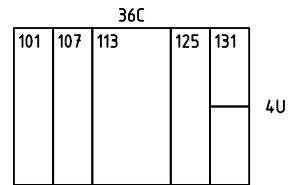


We reserve all rights in this document and in the information contained therein. Reproductions, use for other than intended purposes or in any way without the written permission of ABB Network Partner AB is strictly forbidden.



EARTH-FAULT OR 1-PHASE OVERCURRENT  
 PROTECTION WITH HARMONIC RESTRAINT  
 JORDFELSSKYDD ELLER 1-FAS ÖVERSTRÖMSSKYDD  
 MED ÖVERTONSSSTABILISERING



- 101 RTXP 18
- 107 RXTUG 22H
- 113 RXISB 4
- 125 RXIDK 2H
- 131 RXSF 1

- 1) TRIPPING ETC.  
UTLÖSNING M.M.
- 2) ALARM ETC.  
SIGNAL M.M.
- 3) START ETC.  
START M.M.
- 4) LOSS OF AUXILIARY VOLTAGE  
BORTFALL AV HJÄLPSPÄNNING

ELCAD ID PAT/render

DATE 2004-06-22:19

1MRK 000052-EA

Issued in ARCADE

Prepared 93.43		C-H EINVALL/J ERIKSSON		CIRCUIT DIAGRAM/KRETSSCHEMA			
Approved 93.43		P JENÄKER		RAISB EARTH FAULT PROTECTION			
				JORDFELSSKYDD		Resp dep PAT Rev ind 3 97.22 Lang 82	
Rev Ind	Revision	Reg No	7432	<b>ABB</b> ABB Network Partner AB		<b>1MRK 000 052-EB</b>	
Based on		Pcl	890.652				
						Cont	