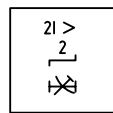
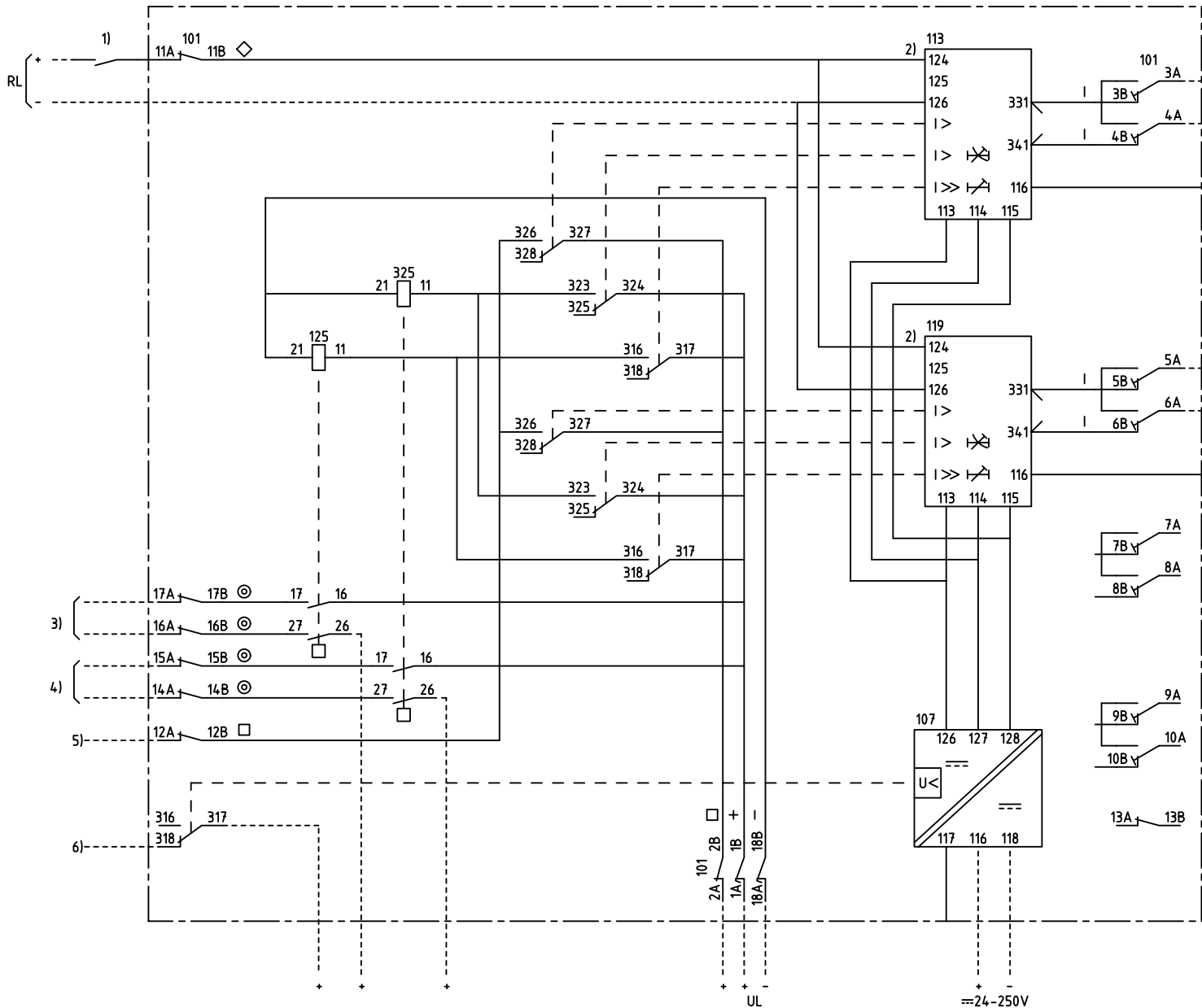
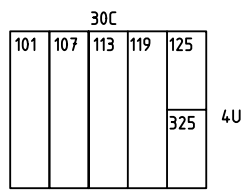


We reserve all rights in this document and in the information contained therein. Reproductions, use for other than intended purposes or in any way not permitted is strictly forbidden. © ABB Network Partner AB



2-PHASE OVERCURRENT PROTECTION
2-FAS ÖVERSTRÖMSSKYDD



101 RTXP 18
107 RXTUG 22H
113 119 RXIDK 2H
125 325 RXME 18

- 1) ENABLE, BLOCK OR INCREASED OP.VALUE
FRIGIVNING, BLOCKERING ELLER ÖKAT
FUNKTIONSVÄRDE
- 2) CONNECTED FOR RL=110-220V DC
CHANGE FROM 124 TO 125
AT RL=48-60V DC
KOPPLAD FÖR RL=110-220V DC
ÄNDRA FRÅN 124 TO 125
VID RL=48-60V DC
- 3) HIGH SET STAGE, TRIPPING
HÖGSTRÖMSSTEG, UTLÖSNING
- 4) LOW SET STAGE, TRIPPING
LÅGSTRÖMSSTEG, UTLÖSNING
- 5) LOW SET STAGE, START
LÅGSTRÖMSSTEG, START
- 6) LOSS OF AUXILIARY VOLTAGE
BORTFALL AV HJÄLPSPÄNNING

ELCAD ID PS/render

DATE 2004-06-2222:16

1MRK 001002-LA

Issued in ARCADE

Prepared 96-01-17 C-H EINVALL/L. OLSTAM		CIRCUIT DIAGRAM/KRETSSCHEMA		Resp dep PS		Rev ind 1 97.17		Lang 82	
Approved 96-02-09 P. JENÄKER		RAIDK 2 OVERCURRENT PROTECTION		1MRK 001 003-LA		Sheet 1		Cont	
Rev Ind Revision		Reg No 7411		Based on		Pcl 890 474			

ABB ABB Network Partner AB

1MRK 001 003-LA