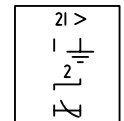
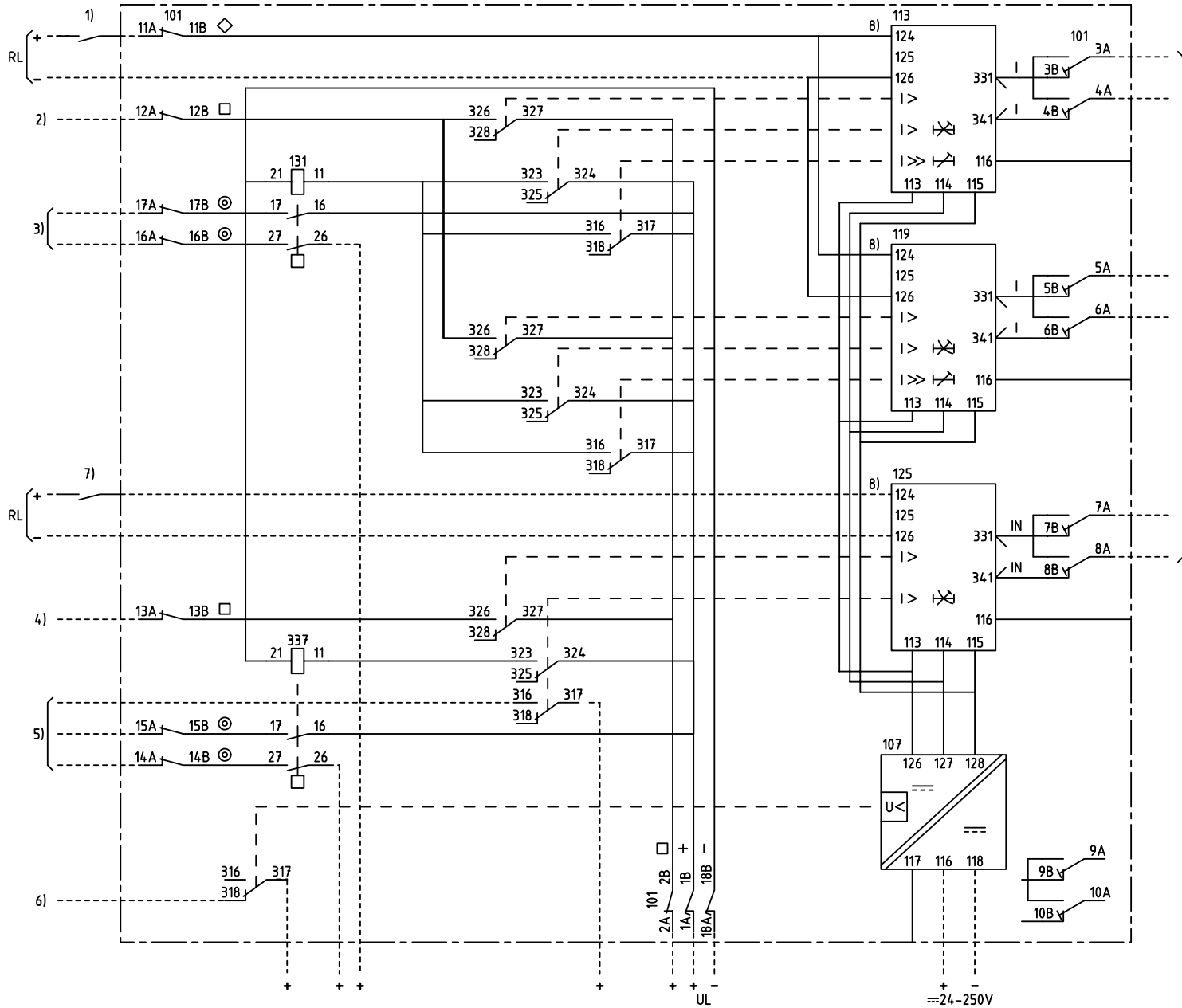
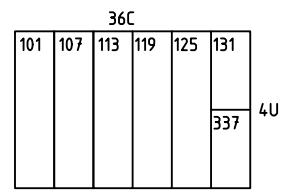


We reserve all rights in this document and in the information contained therein. Reproduction, use for purposes not intended by the copyright owner is strictly forbidden. © ABB Network Partner AB



2-PHASE OVERCURRENT AND EARTH-FAULT PROTECTION
2-FAS ÖVERSTRÖMSSKYDD
JORDFELSSKYDD



101	RTXP 18
107	RXTUG 22H
113 119	RXIDK 2H
125	RXIDG 21H
131 331	RXME 18

- 1) ENABLE, BLOCK OR INCREASED OP.VALUE
FRIGIVNING, BLOCKERING ELLER ÖKAT
FUNKTIONSVÄRDE
- 2) OVERCURRENT, START
ÖVERSTRÖM, START
- 3) OVERCURRENT, TRIPPING
ÖVERSTRÖM, UTLÖSNING
- 4) EARTH-FAULT, START
JORDFEL, START
- 5) EARTH-FAULT, TRIPPING
JORDFEL, UTLÖSNING
- 6) LOSS OF AUXILIARY VOLTAGE
BORTFALL AV HJÄLPSPÄNNING
- 7) ENABLE OR BLOCK
FRIGIVNING ELLER BLOCKERING
- 8) CONNECTED FOR RL=110-220V DC
CHANGE FROM 124 TO 125
AT RL=48-60V DC
KOPPLAD FÖR RL=110-220V DC
ÄNDRA FRÅN 124 TO 125
VID RL=48-60V DC

ELCAD ID PAT/render DATE 2004-06-224:49 IMRK 001 006-VA Issued in ARCADE

Prepared 97-01-27 HAIDER RAZA/L OLSTAM		CIRCUIT DIAGRAM/KRETSSCHEMA		Resp dep PAT Rev ind 1 Lang 82	
Approved 97-03-10 P JENÄKER		RACIK 3 OVERCURRENT PROTECTION		Sheet 1	
Rev Ind Revision Reg No 7411		RACIK 3 ÖVERSTRÖMSSKYDD		Cont	
Based on Pcl 890.616		ABB ABB Network Partner AB		IMRK 001 007-VA	