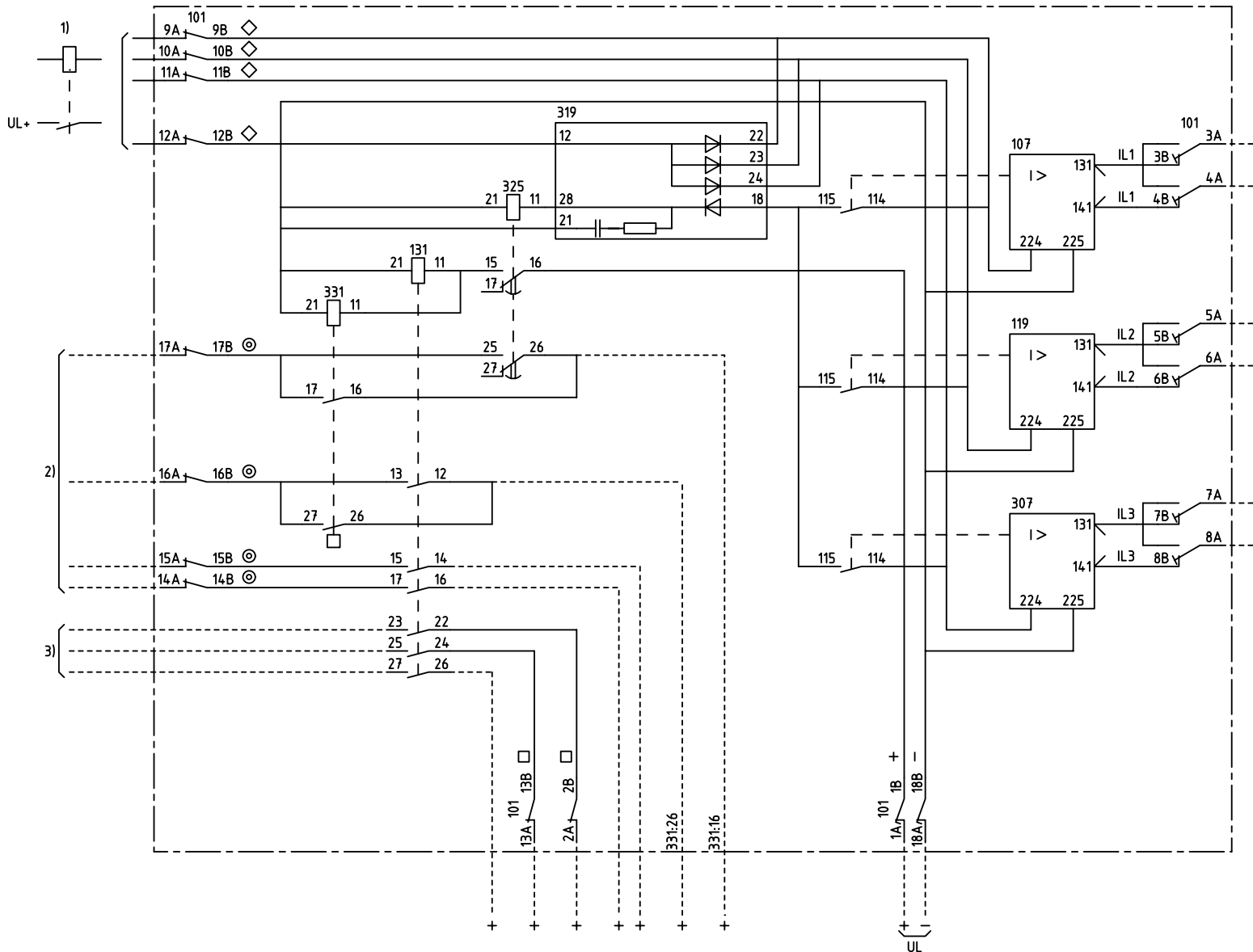
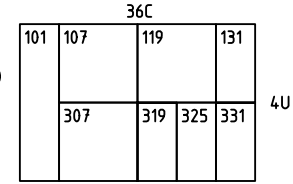


We reserve all rights in this document and in the information contained therein. Reproductions, use for other purposes or in other languages without the written consent of ABB Network Partner AB is strictly forbidden.



BREAKER FAILURE PROTECTION
 WITH ONE TIME STEP,
 CURRENT DETECTORS IN 3 PHASES
 BRYTARFELSSKYDD MED
 ETT TIDSSTEG, STRÖMRELÄER
 I TRE FASER



- 101 RTXP 18
- 107 119 307 RXIB 24
- 131 RXMS 1
- 319 RXTCB 1
- 325 RXKL 1
- 331 RXME 18

- 1) TRIP RELAY IN ANOTHER PROTECTION
UTLÖSNINGSRELÄ I ANNAT SKYDD
- 2) TRIPPING OF BACK-UP
CIRCUIT BREAKERS
UTLÖSNING AV
RESERVBRYTARE
- 3) ALARM ETC.
SIGNAL M.M

ELCAD ID PAT/render		DATE 2004-06-23:50		RK 651 034-BA		Issued in ARCADE	
		Prepared 88.35	C-H EINVALL		CIRCUIT DIAGRAM/KRETSSCHEMA		
		Approved 88.35	P JENÄKER		RAICA BREAKER FAILURE PROTECTION		
					RAICA BRYTARFELSSKYDD		
Rev Ind	Revision	Reg No 7429			Resp dep PAT	Rev ind 2 96.45	Lang 82
Based on		Pcl 890.651			7429 0020-BA		Sheet 1
							Cont

ABB ABB Network Partner AB