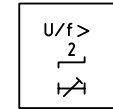
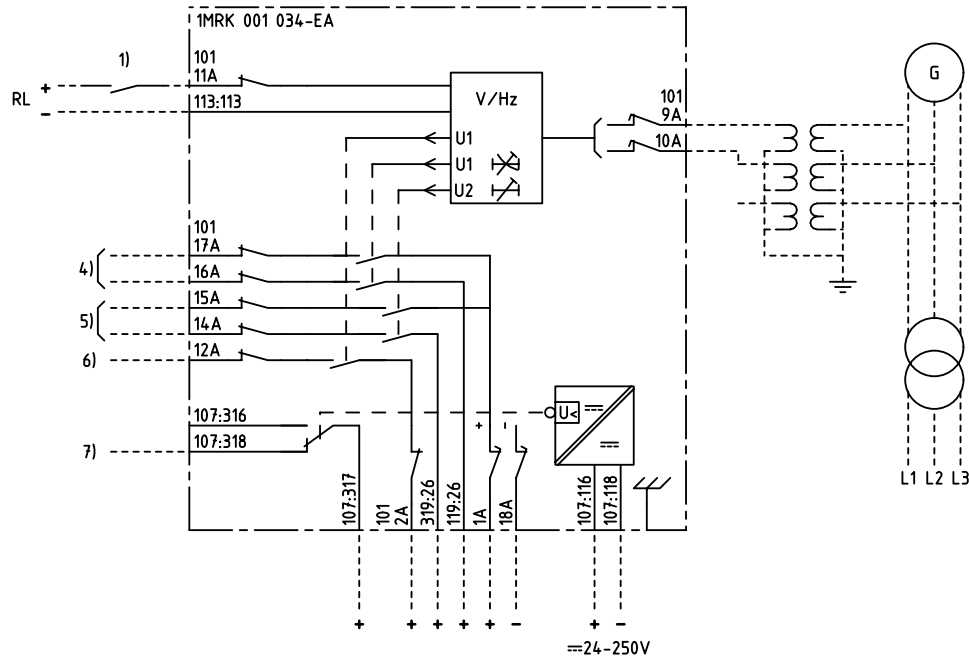


We reserve all rights in this document and in the information contained therein. Reproduction, use for other than intended purposes, or distribution without the written consent of ABB Network Partner AB is strictly forbidden.



TRANSFORMER OVEREXCITATION PROTECTION
ÖVERMAGNETISERINGSSKYDD FÖR TRANSFORMATOR

- 1) RESETTING OF INDICATION
ÅTERSTÄLLNING AV INDIKERING
- 4) TRIPPING STAGE 1
UTLÖSNING STEG 1
- 5) TRIPPING STAGE 2
UTLÖSNING STEG 2
- 6) START STAGE 1
START STEG 1
- 7) LOSS OF AUXILIARY VOLTAGE
BORTFALL AV HJÄLPSPÄNNING

ELCAD ID TPTD/render

DATE 2004-06-2219:18

Issued in ARCADE

Prepared 96-07-04 H RAZA/J ERIKSSON		TERMINAL DIAGRAM/UTTAGSSHEMA		Resp dep TPTD Rev ind -		Lang en	
Approved 96-08-28 Peter Jenøker		RALK 1 TRANS OVEREXCITATION PROTECTION		Sheet 1		Cont	
Rev Ind Revision Reg No 7411		RALK 1 ÖVERMAGNET. SKYDD FÖR TRAFO		1MRK 001 034-EAA		Sheet 1	
Based on Pcl 890,561		ABB ABB Network Partner AB				Cont	