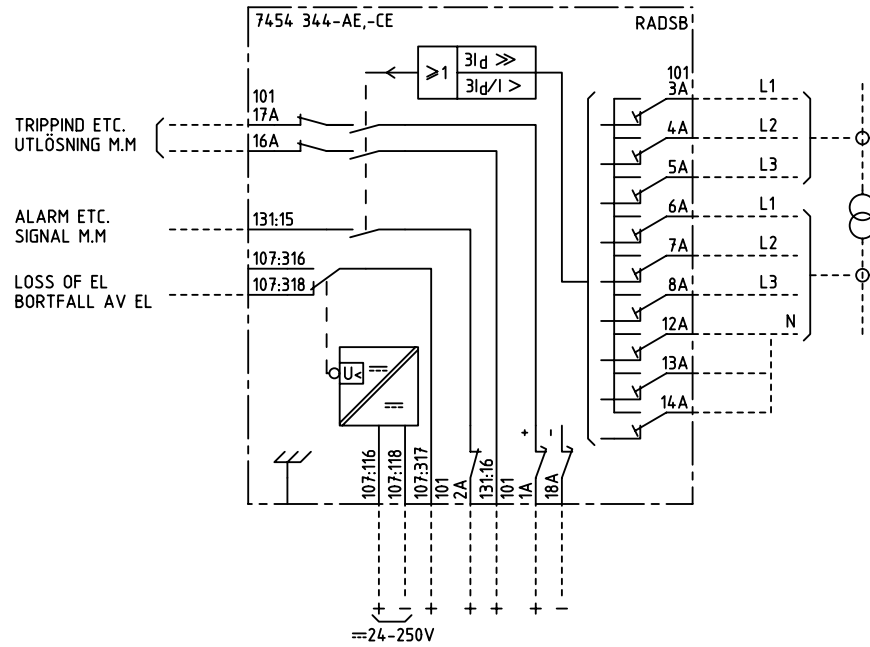


We reserve all rights in this document and in the information contained therein. Reproduction, use for other than intended purposes, or distribution without the written permission of ABB Network Partner AB is strictly forbidden.



3I_d/I>

TRANSFORMER DIFFERENTIAL PROTECTION
 WITH TWO INPUT CIRCUIT RESTRAINTS
 TRANSFORMATORDIFFERENTIALSKYDD
 MED TVÅ STABILISERANDE INGÅNGAR

ELCAD ID PAT/render

DATE 2004-06-230:11

Issued in ARCADE

		Prepared 84 46	C-H EINVALL	TERMINAL DIAGRAM/UTTAGSSCHEMA			
		Approved 84 46	P JENÅKER	RADSB DIFFERENTIAL PROTECTION			
				RADSB DIFFERENTIALSKYDD		Resp dep PAT	Rev ind 2 96 45
Rev Ind	Revision	Reg No 7454	ABB Network Partner AB		7454 344-ADA		Lang 82
Based on		Pcl 890.625					Sheet 1
						Cont	

1

2

3

4

5

6