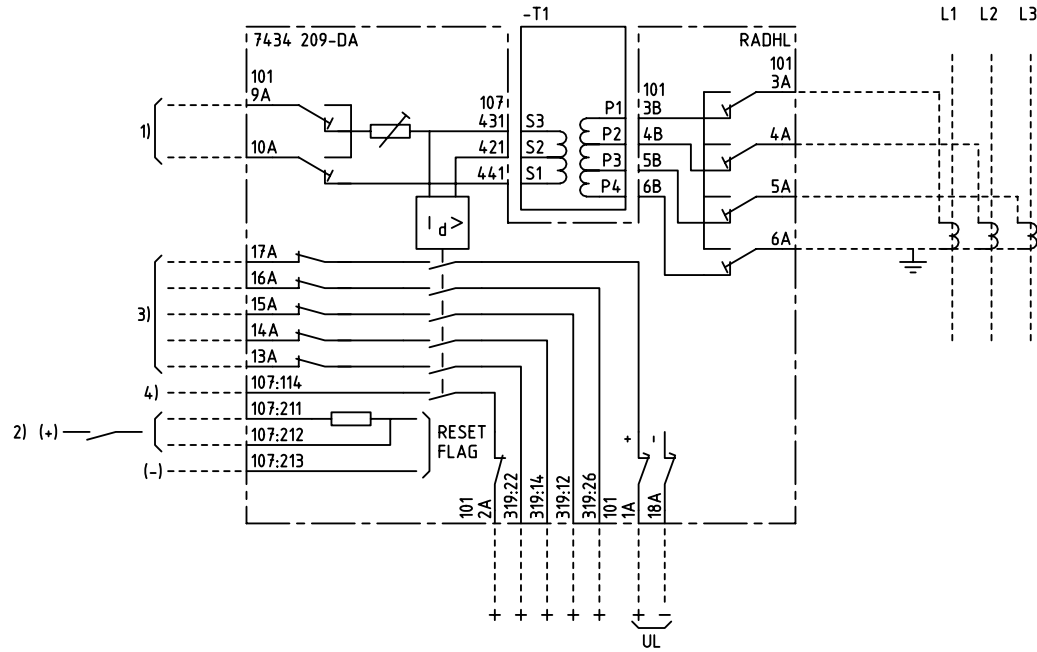


We reserve all rights in this document and in the information contained therein. Reproduction, use for other than intended purposes, without the written authority of ABB Network Partner AB is strictly forbidden.



PILOT-WIRE DIFFERENTIAL PROTECTION
LÄNGSDIFFERENTIALSKYDD

- 1) PILOT-WIRES
HJÄLPTRÅDAR
- 2) RESETTING
AT 110-250V CONNECT TO 107:211
AT 24-55V CONNECT TO 107:212
ÅTERSTÄLLNING
VID 110-250V ANSLUT TILL 107:211
VID 24-55V ANSLUT TILL 107:212
- 3) TRIPPING ETC.
UTLÖSNING M.M
- 4) ALARM ETC.
SIGNAL M.M

ELCAD ID PAT/render

DATE 2004-06-232:08

Issued in ARCADE

| | | | | | |
|--------------------------|-------------|-------------------------------|--------------|--------------|-----------------|
| Prepared 80 22 N BRANDT | | TERMINAL DIAGRAM/UTTAGSSHEMA | | | |
| Approved 80 22 P JENÄKER | | RADHL DIFFERENTIAL PROTECTION | | | |
| | | RADHL DIFFERENTIALSKYDD | | Resp dep PAT | Rev ind 4 96 45 |
| Rev Ind | Revision | Reg No 7434 | 7434 209-DAA | | Lang 82 |
| Based on | Pcl 890.612 | ABB ABB Network Partner AB | | Sheet 1 | Cont |