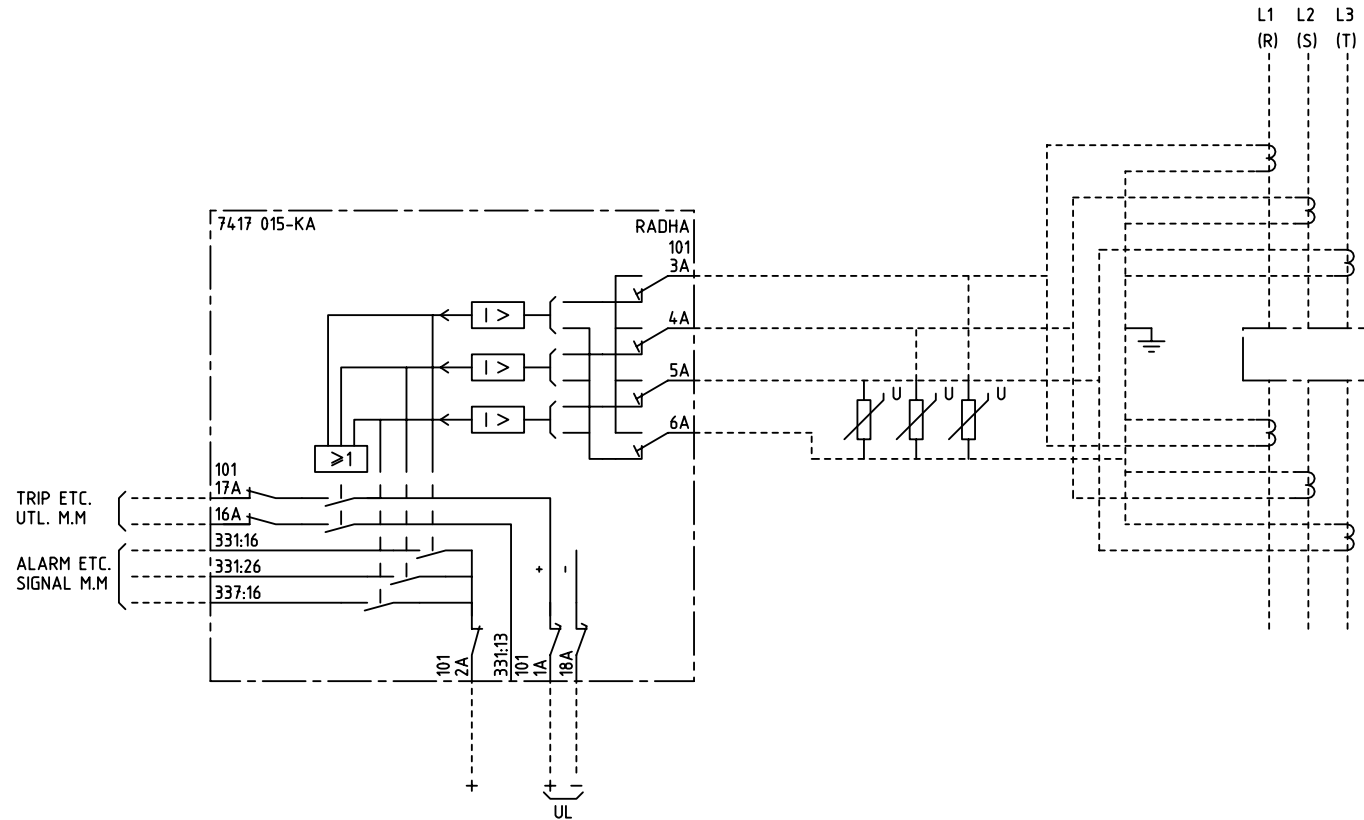


We reserve all rights in this document and in the information contained therein. Reproduction, use for other than intended purposes, or distribution without the written consent of ABB Network Partner AB is strictly forbidden.

3 | 4 >

3-PHASE HIGH-IMPEDANCE DIFFERENTIAL PROTECTION FOR  $U_s$  19 TO 100V  
 3-FAS HÖGIMPEDANS DIFFERENTIALSKYDD FÖR  $U_s$  19 TILL 100V



ELCAD ID PAT/render

DATE 2004-06-2220:30

Issued in ARCADE

		Prepared	84 14	R ÖSTLUND	TERMINAL DIAGRAM/UTTAGSSCHEMA RADHA DIFFERENTIAL PROTECTION DIFFERENTIALSKYDD					
		Approved	84 14	P JENÄKER		Resp dep	PAT	Rev ind	2 96.45	Lang
Rev Ind	Revision	Reg No	7417	<b>ABB</b> ABB Network Partner AB		<b>7417 015-KAA</b>		Sheet	1	
Based on		Pcl	890.646					Cont		

1

2

3

4

5

6