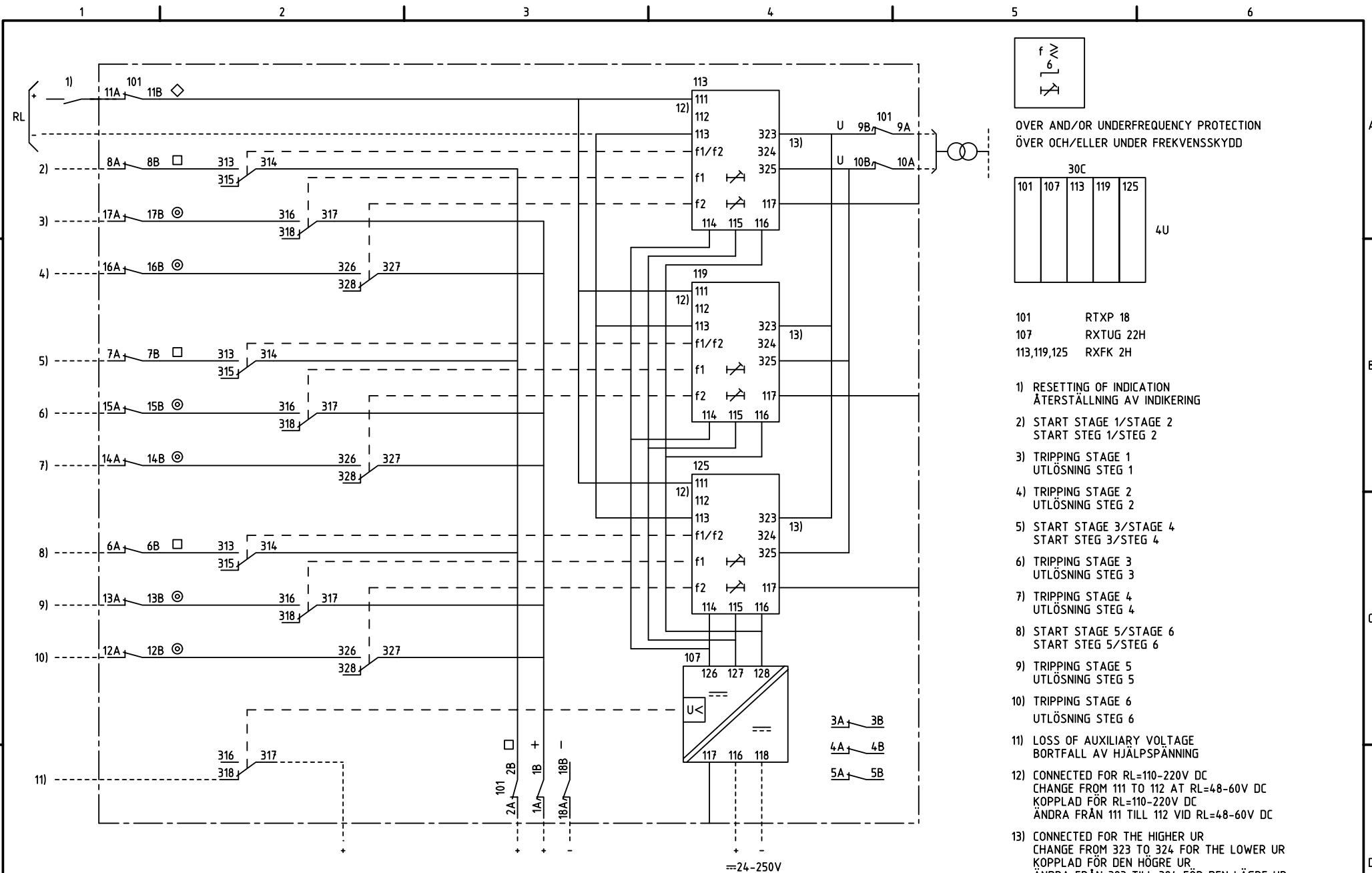


We reserve all rights in this document and in the information contained therein. Reproduction, use or distribution of this document without the written consent of ABB Network Partner AB is strictly forbidden.



ELCAD ID TPTD/render

DATE 2004-06-224:49

1MRK 001 025-PA

Issued in ARCADE

		Prepared 96-04-17	C-H EINVALL/KJ	CIRCUIT DIAGRAM/KRETSSCHEMA			
		Approved 96-05-24	P JENÄKER	RAFK FREQUENCY PROTECTION			
				RAFK FREKVENSSKYDD			
Rev Ind	Revision	Reg No 7411	<b>ABB</b> ABB Network Partner AB		<b>1MRK 001 026-PA</b>		Lang 82
Based on	Pcl 890.546						Sheet 1