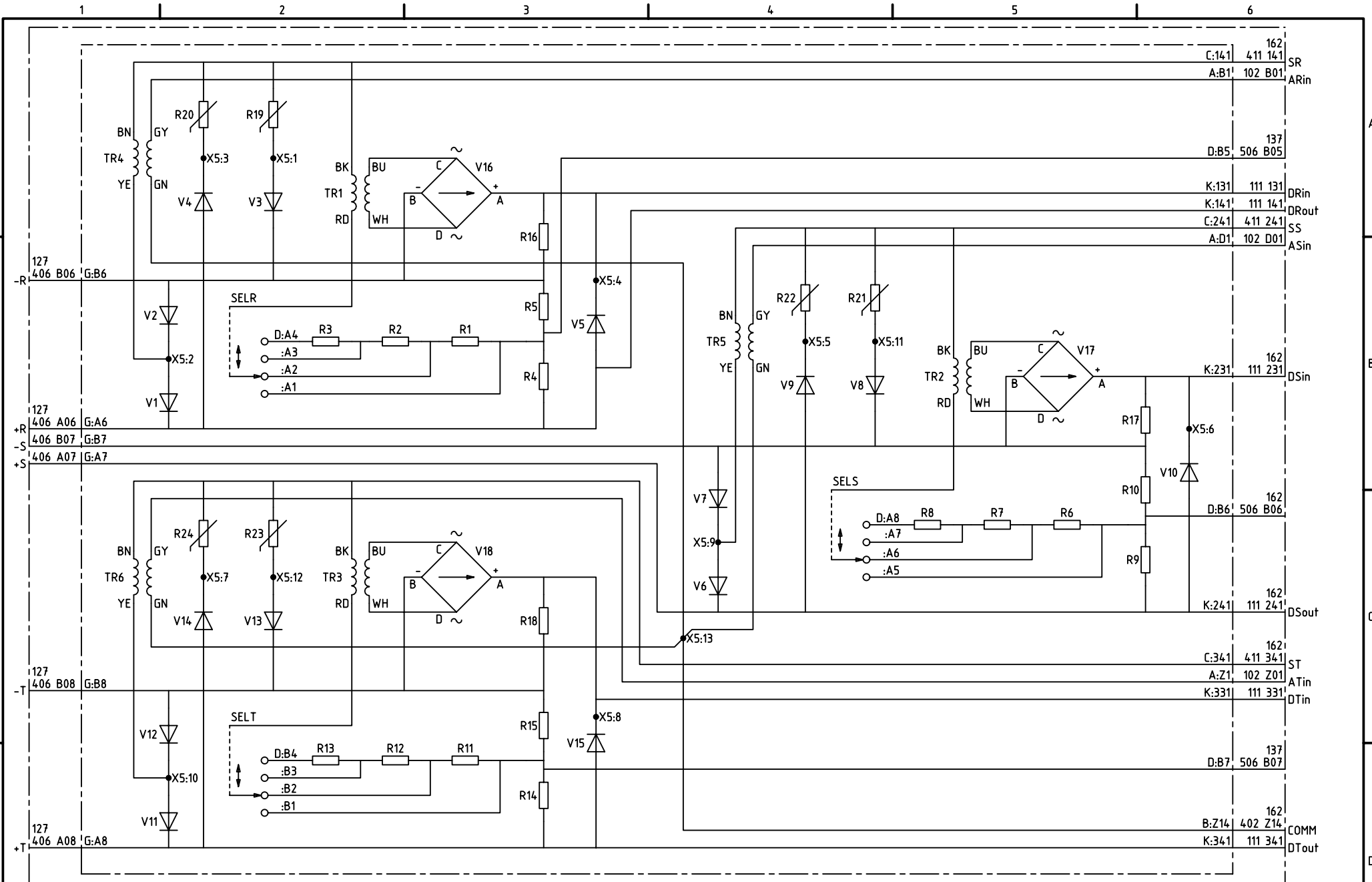


We reserve all rights in this document and in the information contained therein. Reproduction, use for purposes not intended by ABB Network Partner AB is strictly forbidden.



ELCAD ID PS/render

DATE 2004-06-2223:17

Issued in ARCADE

Prepared 94.07		N BRANDT		CIRCUIT DIAGRAM/KRETSSCHEMA			
Approved 94.07				RLHE 103 COMPARATOR UNIT			
				KOMPARATORRENHET		Resp dep PS	
Rev Ind		Revision		Reg No 7451		Rev Ind 2 98-02-06	
Based on		Pcl 890.638		ABB ABB Network Partner AB		Lang 82	
				7451 354-BA		Sheet 1	
						Cont	