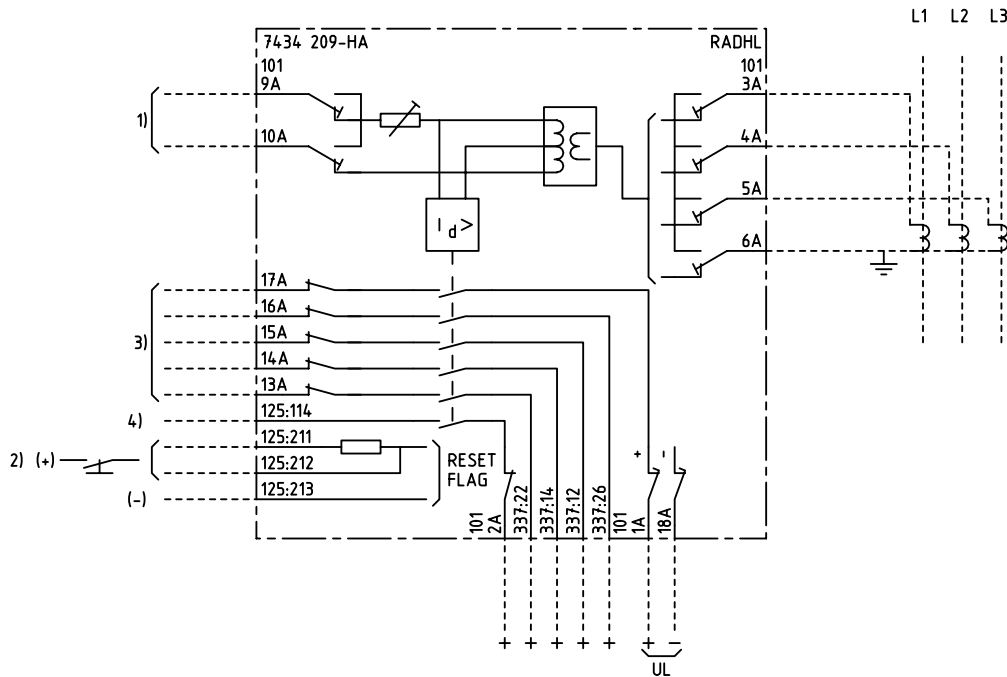


We reserve all rights in this document and in the information contained therein. Reproduction, use for other than intended purposes, or distribution without the written consent of ABB Network Partner AB is strictly forbidden.



$I_d >$

**PILOT-WIRE DIFFERENTIAL PROTECTION  
LÄNGSDIFFERENTIALSKYDD**

- 1) PILOT-WIRES  
HJÄLPTRÅDAR
- 2) RESETTING  
AT 110-250V CONNECT TO 125:211  
AT 24-55V CONNECT TO 125:212  
ÅTERSTÄLLNING  
VID 110-250V ANSLUT TILL 125:211  
VID 24-55V ANSLUT TILL 125:212
- 3) TRIPPING ETC.  
UTLÖSNING M.M
- 4) ALARM ETC.  
SIGNAL M.M

ELCAD ID PAT/render

DATE 2004-06-2223:49

Issued in ARCADE

		Prepared 80 22	N BRANDT	TERMINAL DIAGRAM/UTTAGSSHEMA			
		Approved 80 22	P JENÄKER	RADHL DIFFERENTIAL PROTECTION			
				RADHL DIFFERENTIALSKYDD		Resp dep PAT	Rev ind 3 96 45
Rev Ind	Revision	Reg No 7434	<b>ABB</b> ABB Network Partner AB		<b>7434 209-HAA</b>		Lang 82
Based on	Pcl 890.612						Sheet 1
						Cont	