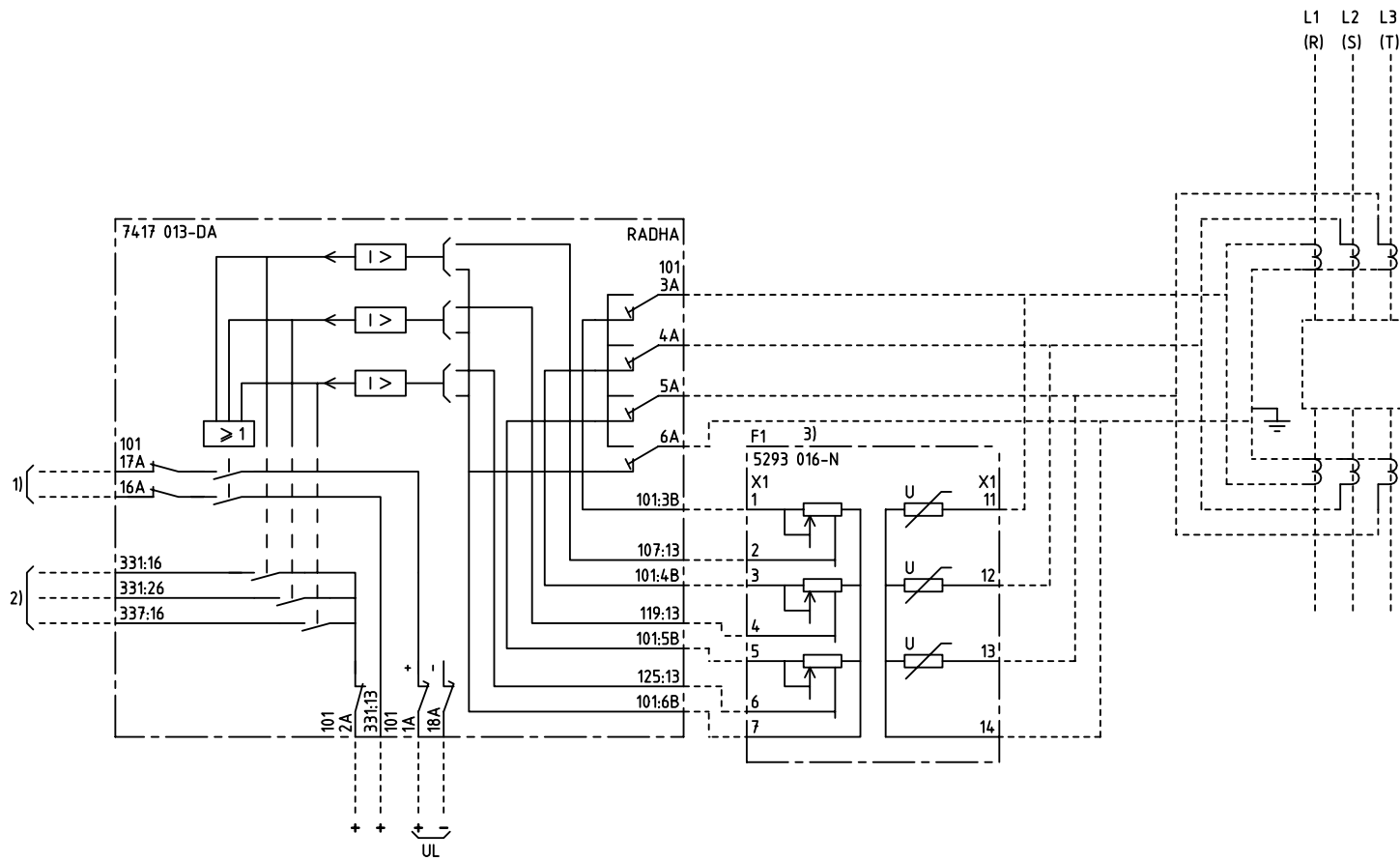


We reserve all rights in this document and in the information contained therein. Reproduction, use or distribution of this document without the written authority of ABB Automation Technologies AB is strictly forbidden.



$3I_d >$

3-PHASE HIGH-IMPEDANCE  
DIFFERENTIAL PROTECTION FOR  
 $U_s=(100)-400V$  AND WITH  
PHASE INDICATING

3-FAS HÖGIMPEDANS  
DIFFERENTIALSKYDD FÖR  
 $U_s=(100)-400V$  OCH MED  
FASINDIKERING

42C					
101	107	113	119	125	131
	307	313	319	325	331
					337
4U					

- 101 RTXP 18
- 107 119 125 RXTLA 1
- 113 131 313 RXTCA 1
- 307 319 325 RXID 1
- 331 337 RXSF 1
- F1 RESISTOR UNIT

1) TRIP ETC.  
UTLÖSNING M.M

2) ALARM ETC.  
SIGNAL M.M

3) SEPARATELY MOUNTED  
SEPARAT MONTERAD

Customer drw no	Prep. PTUA/ TPTD Eriksson Jill 2003-02-06	Connection Diagram	Cont. sh/ No of sh
	Appr. PTUA/ SA/DP Jonsson Patrik 2003-02-07		
	Resp. dept PTUA/ TPTD	Document number	Sheet
Based on	<b>ABB</b> ABB Automation Technologies		
		Lang. en	Rev. B

Document status: Approved