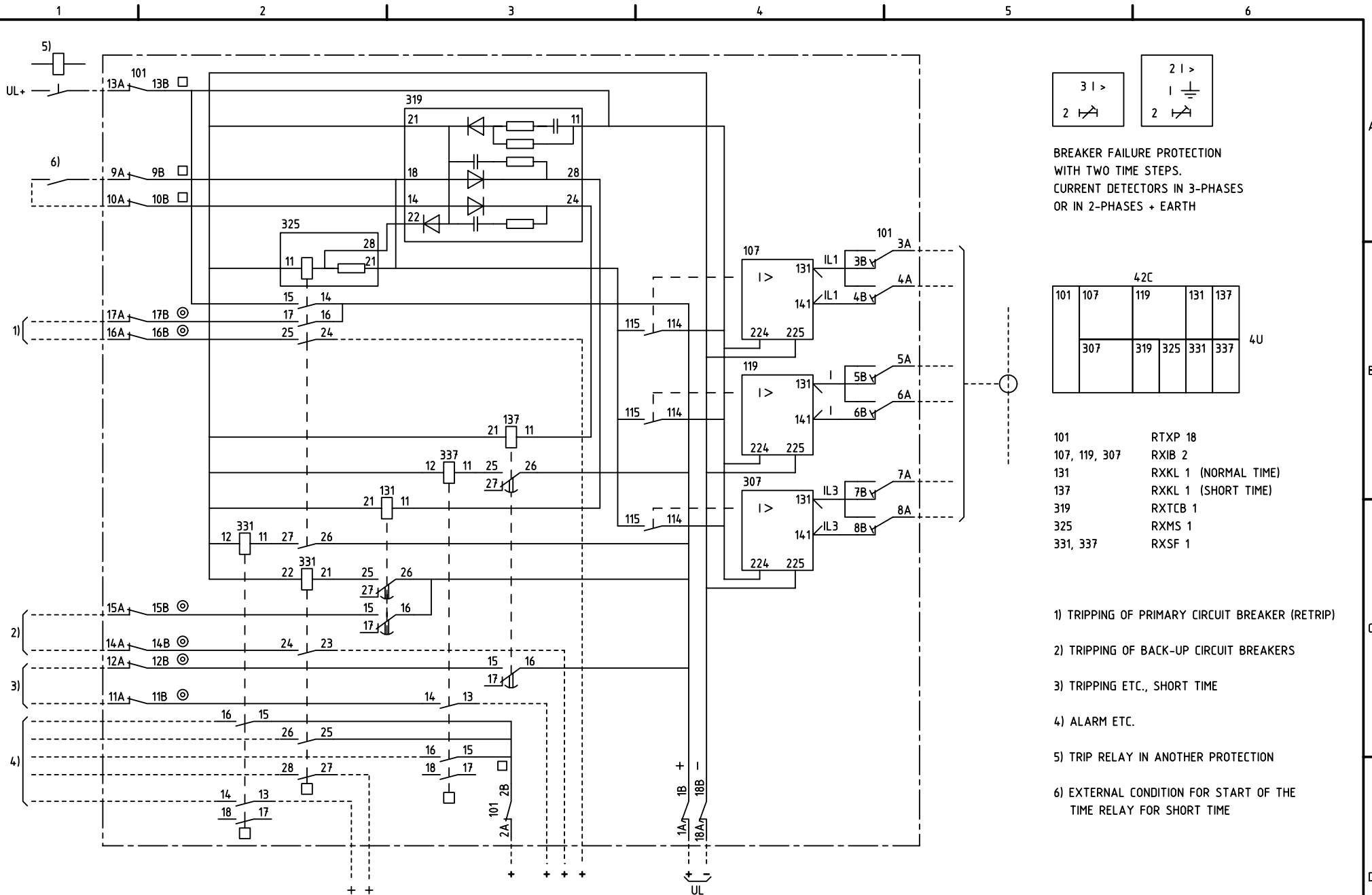


We reserve all rights in this document and in the information contained therein. Reproduction, use for other than intended purposes, or distribution without the written permission of ABB Automation Technologies AB is strictly forbidden.



Customer drw no	Prep. PTUA/ TPTD Eriksson Jill	2004-03-03	Circuit Diagram Breaker failure protection		Cont. sh/ No of sh	
	Appr. PTUA/ SA/TD Jonsson Patrik	2004-03-05				
	Resp. dept PTUA/ TPTD					
Based on	ABB ABB Automation Technologies		Document number 74290003-CA	Lang. en	Rev. A	Sheet 1

Document status: Approved