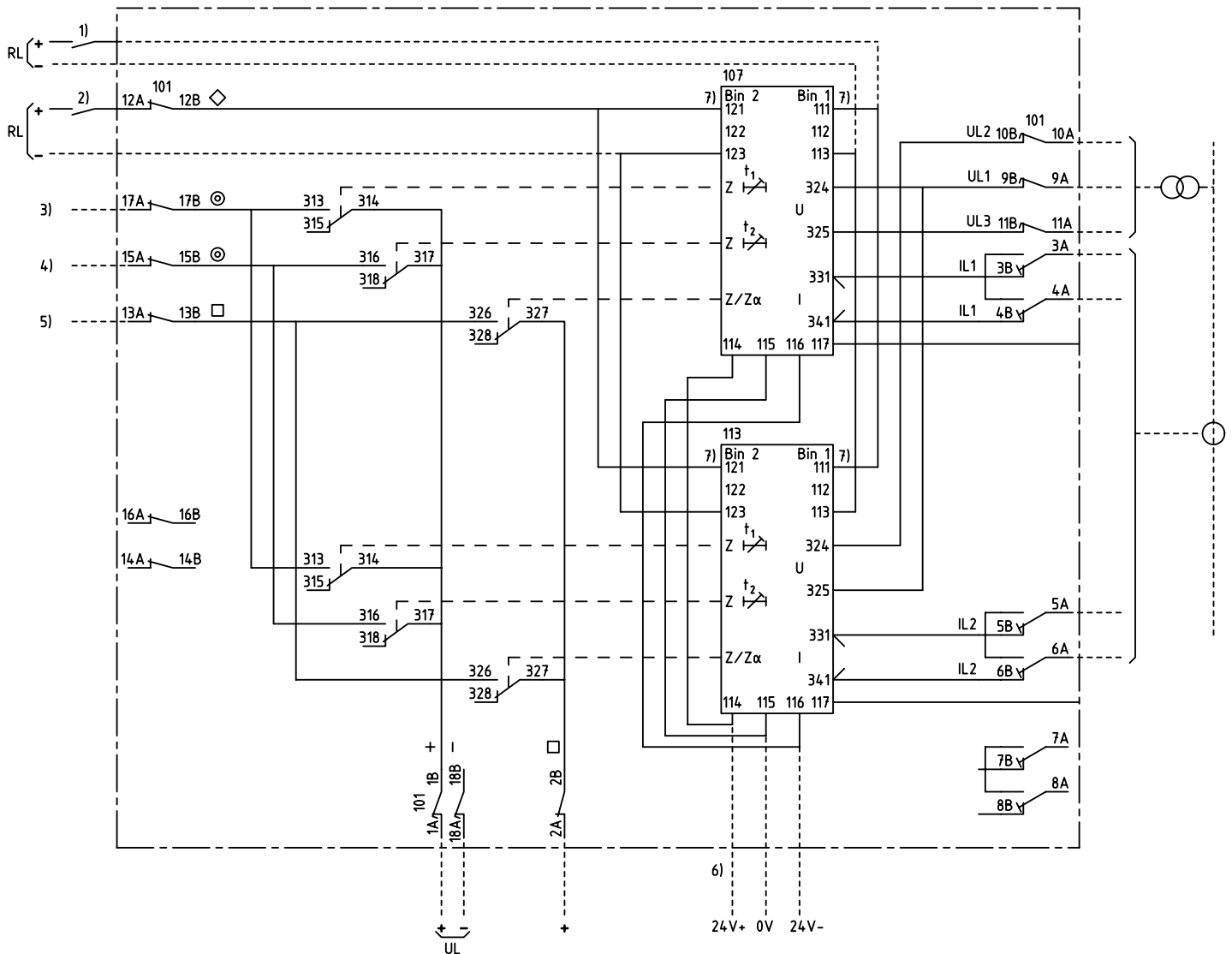


We reserve all rights in this document and in the information contained therein. Reproduction, use or distribution of this document without the written authority of ABB Automation Technologies AB is strictly forbidden.



ZZ <
→
↗

2-PH UNDERIMPEDANCE PROTECTION
DELAYED

101	107	113
-----	-----	-----

4U

101 RTXP 18
107,113 RXZK 21H

- 1) BLOCKING OF ALL FUNCTIONS EXCEPT $Z_{\alpha<}$ OR BLOCKING OF TRIP Z_{t1} OR ENABLE OF Z/Z_{α} OR ACCELERATION OF Z_{t2}
- 2) RESETTING OF INDICATION
- 3) UNDERIMPEDANCE, TRIPPING STAGE 1
- 4) UNDERIMPEDANCE, TRIPPING STAGE 2
- 5) UNDERIMPEDANCE/DIR. UNDERIMPEDANCE, START
- 6) MUST BE ENERGIZED FROM RXTUG 21/22H
- 7) CONNECTED FOR RL=110-220 V DC CHANGE FROM 111 TO 112 AND 121 TO 122 AT RL=48-60 V DC

Customer drw no	Prep. PTUA/ TPTD Eriksson Jill 2000-11-23	1MRK001029-GA	Conf. sh/ No of sh
	Appr. PTUA/ TATD Karlsson Roger 2001-03-27	Circuit Diagram 2-phase underimpedance protection	
	Resp. dept PTUA/ TPTD	Document number	Lang. en
Based on	ABB ABB Automation Technologies	1MRK001030-GA	Rev. -
			Sheet 1

Document status: Approved