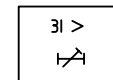
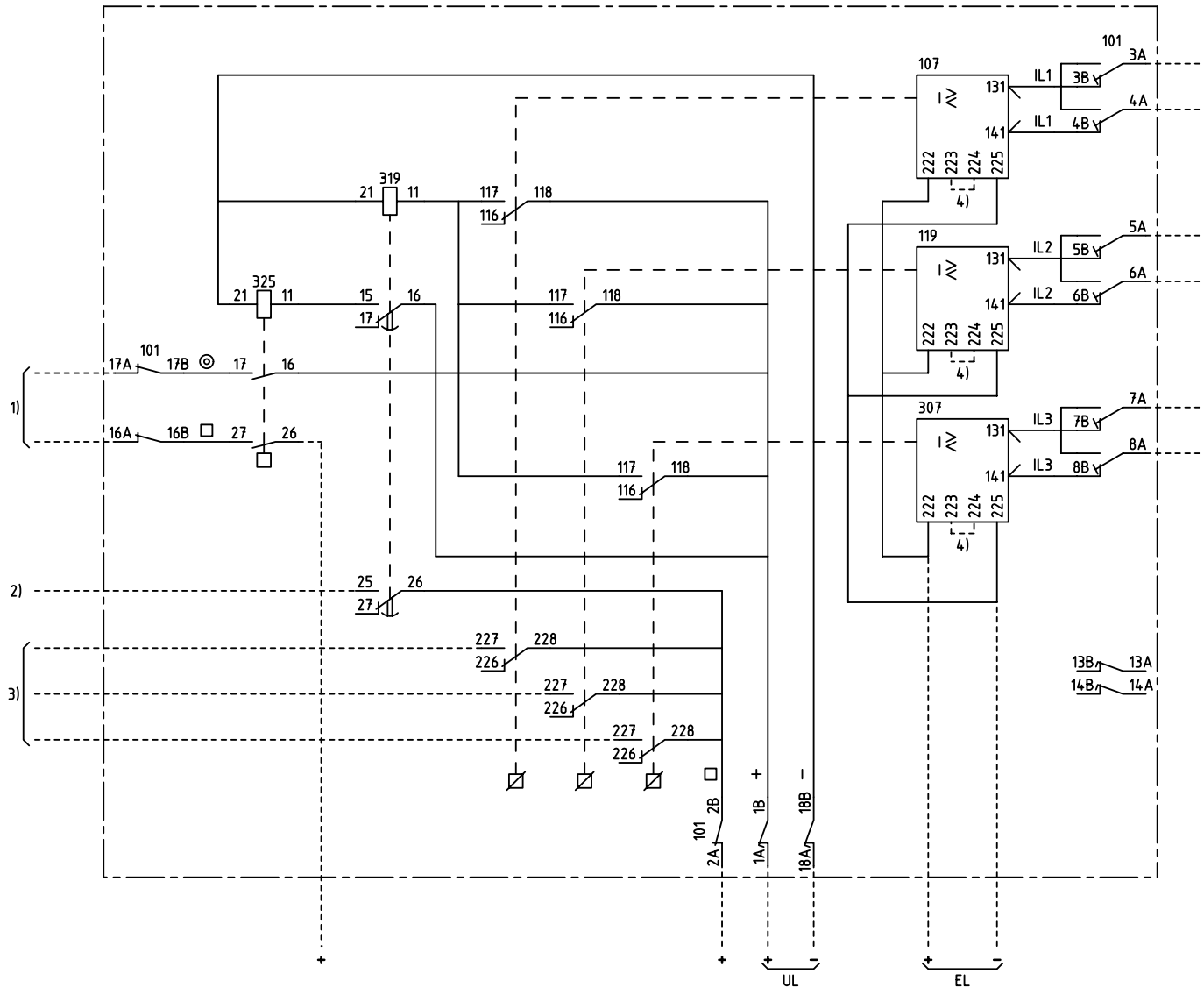
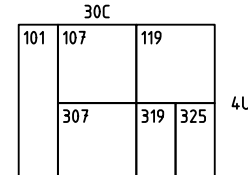


We reserve all rights in this document and in the information contained therein. Reproductions, use for other than intended purposes, or distribution without the written permission of ABB Network Partner AB is strictly forbidden.



3-PHASE OVERCURRENT PROTECTION, DELAYED
3-FAS ÖVERSTRÖMSSKYDD, FÖDRÖJT



101	RTXP 18
107,119,307	RXIG 2
319	RXKL 1
325	RXME 18

- 1) TRIPPING ETC.
UTLÖSNING M.M.
- 2) ALARM ETC.
SIGNAL M.M.
- 3) BLOCKING, INDICATION ETC.
BLOCKERING, INDIKERING M.M.
- 4) 223-224 CONNECTED AT
UL=24 RESP. 110-125V DC
223-224 FÖRBUNDNA VID
UL=24 RESP. 110-125V DC

ELCAD ID PAT/render DATE 2004-06-230:18 1MRK 001 037-NA Issued in ARCADE

Prepared 97-01-15 C H Einvall/L Bergman		CIRCUIT DIAGRAM/KRETSSCHEMA	
Approved 97-02-12 P Jenåker		RAIG 3-PHASE OVERCURRENT PROTECTION	
		RAIG 3-FAS ÖVERSTRÖMSSKYDD	
Rev Ind	Revision	Reg No 7411	Resp dep PAT Rev ind - Lang 82
Based on	Pct 890,411	ABB ABB Network Partner AB 1MRK 001 038-NA	
		Cont	