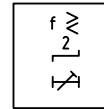
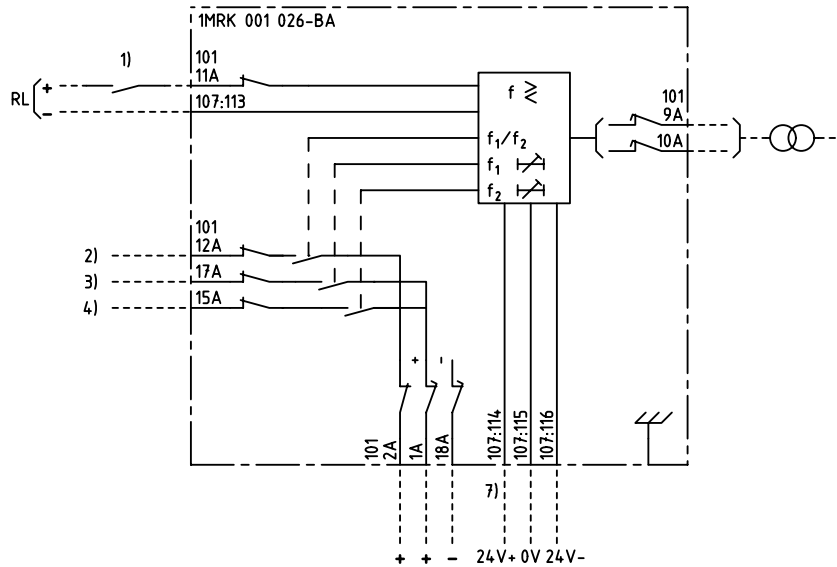


We reserve all rights in this document and in the information contained therein. Reproduction, use for other purposes or distribution without the written consent of ABB Network Partner AB is strictly forbidden.



OVER- OR UNDERFREQUENCY PROTECTION  
ÖVER ELLER UNDERFREKVENSSKYDD

- 1) RESETING OF INDICATION  
ÅTERSTÄLLNING AV INDIKERING
- 2) START STAGE 1/STAGE 2  
START STEG 1/STEG 2
- 3) TRIPPING STAGE 1  
UTLÖSNING STEG 1
- 4) TRIPPING STAGE 2  
UTLÖSNING STEG 2
- 7) MUST BE ENERGIZED FROM RXTUG 21/22H  
MÅSTE MATAS FRÅN RXTUG 21/22H

ELCAD ID TPTD/render

DATE 2004-06-2223:28

Issued in ARCADE

Prepared 96-12-06 C-H EINVALL/J ERIKSSON		TERMINAL DIAGRAM/UTTAGSSHEMA			
Approved 97-01-13 Peter Jenøker		RAFK FREQUENCY PROTECTION			
		RAFK FREKVENSSKYDD		Resp dep TPTD Rev ind 1 97.05 Lang en	
Rev Ind	Revision	Reg No 7411	<b>ABB</b> ABB Network Partner AB		<b>1MRK 001 026-BAA</b>
Based on	Pcl 890.546				Sheet 1

1

2

3

4

5

6