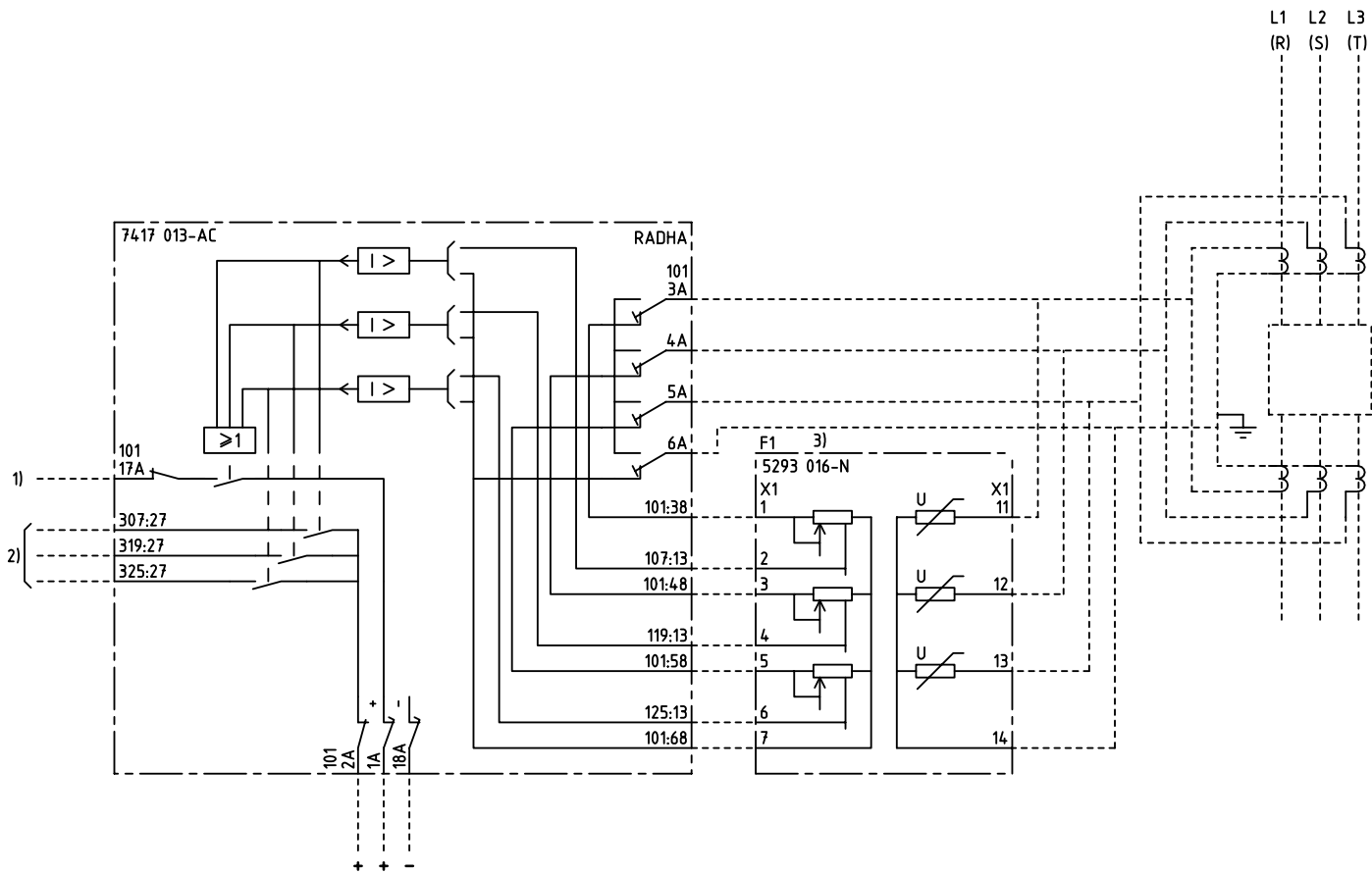


We reserve all rights in this document and in the information contained therein. Reproduction, use in documents or transmission in any form or by any means is strictly forbidden. © ABB Automation Technologies AB



$3I_d >$

3-PHASE HIGH IMPEDANCE
DIFFERENTIAL PROTECTION FOR
 $U_s=(100)-400V$

3-FAS HÖGIMPEDANS
DIFFERENTIALSKYDD FÖR
 $U_s=(100)-400V$

36C					
101	107	113	119	125	131
	307	313	319	325	
					4U

- 101 RTXP 18
- 107 119 125 RXTLA 1
- 113 131 313 RXTCA 1
- 307 319 325 RXID 1
- F1 RESISTOR UNIT

- 1) TRIPPING OF CBs ETC.
UTLÖSNING AV BRYTTARE M.M
- 2) ALARM ETC.
SIGNAL M.M
- 3) SEPARATELY MOUNTED
SEPARAT MONTERAD

Customer drw no	Prep. PTUA/ TPTD Eriksson Jill	2003-02-05	Connection Diagram Differential protection		Conf. sh/ No of sh
	Appr. PTUA/ SA/DP Jonsson Patrik	2003-02-07			
	Resp. dept PTUA/ TPTD		Document number	Lang.	Rev.
Based on	ABB ABB Automation Technologies		7417013-ACA	en	A
					Sheet 1

Document status: Approved