

We reserve all rights in this document and in the information contained therein. Reproductions, use for other than intended purposes or distribution without the written consent of ABB Network Partner AB is strictly forbidden.

1 2 3 4 5 6

A

B

C

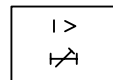
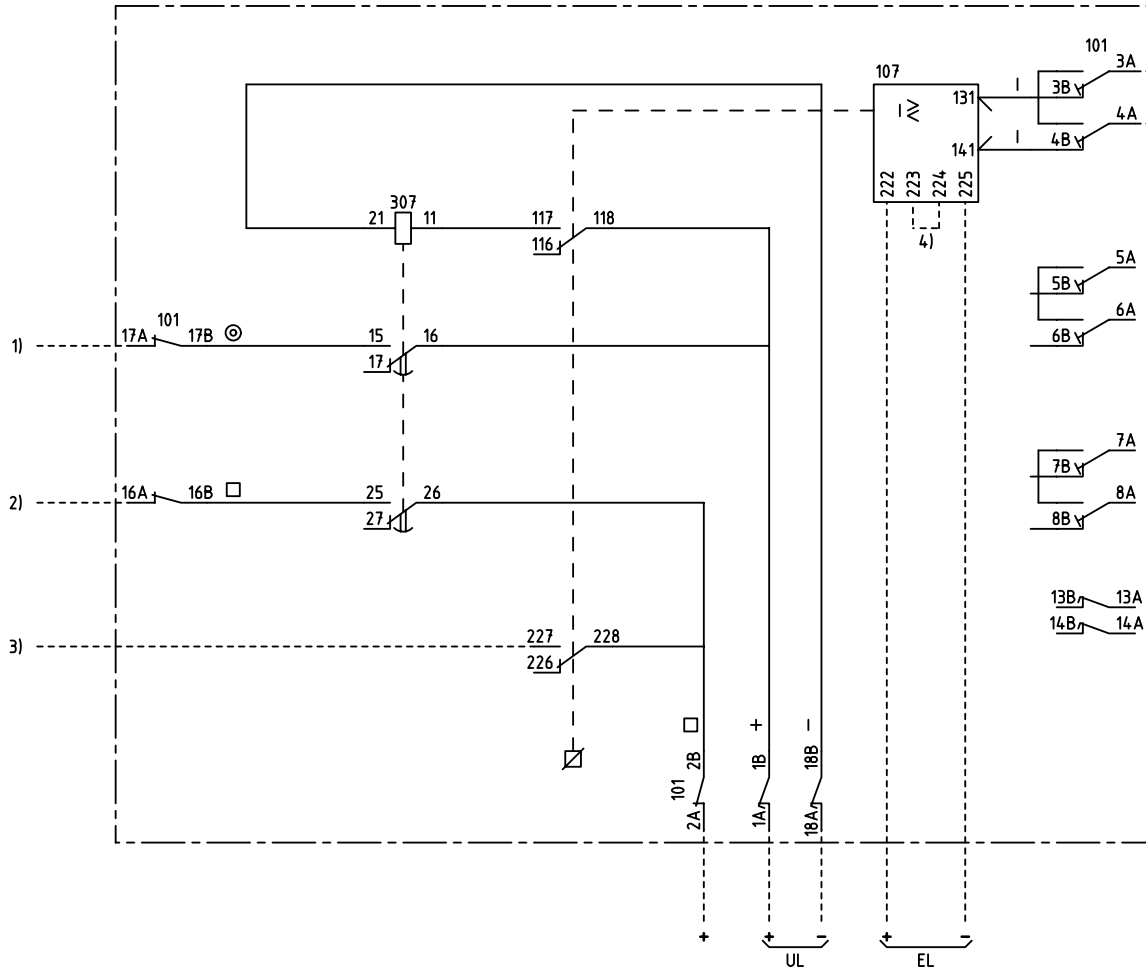
D

A

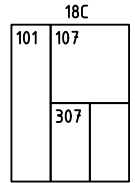
B

C

D



1-PHASE OVERCURRENT PROTECTION, DELAYED
1-FAS ÖVERSTRÖMSSKYDD, FÖRDRÖJT



4U

101 RTXP 18
107 RXIG 2
307 RXKL 1

- 1) TRIPPING ETC.
UTLÖSNING M.M.
- 2) ALARM ETC.
SIGNAL M.M.
- 3) BLOCKING, INDICATION ETC.
BLOCKERING, INDIKERING M.M.
- 4) 223-224 CONNECTED AT
UL=24 RESP. 110-125V DC
223-224 FÖRBUNDNA VID
UL=24 RESP. 110-125V DC

ELCAD ID PAT/render DATE 2004-06-2219:14 IMRK 001 037-CA Issued in ARCADE

Prepared 97-01-14 C-H Einvall/L Bergman		CIRCUIT DIAGRAM/KRETSSCHEMA	
Approved 97-02-12 P Jenåker		RAIG 1-PHASE OVERCURRENT PROTECTION	
		RAIG 1-FAS ÖVERSTRÖMSSKYDD	
Rev Ind	Revision	Reg No 7411	Lang 82
Based on	Pcl 890,411	Sheet 1	

ABB ABB Network Partner AB

IMRK 001 038-CA

1 2 3 4 5 6