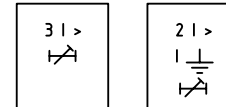
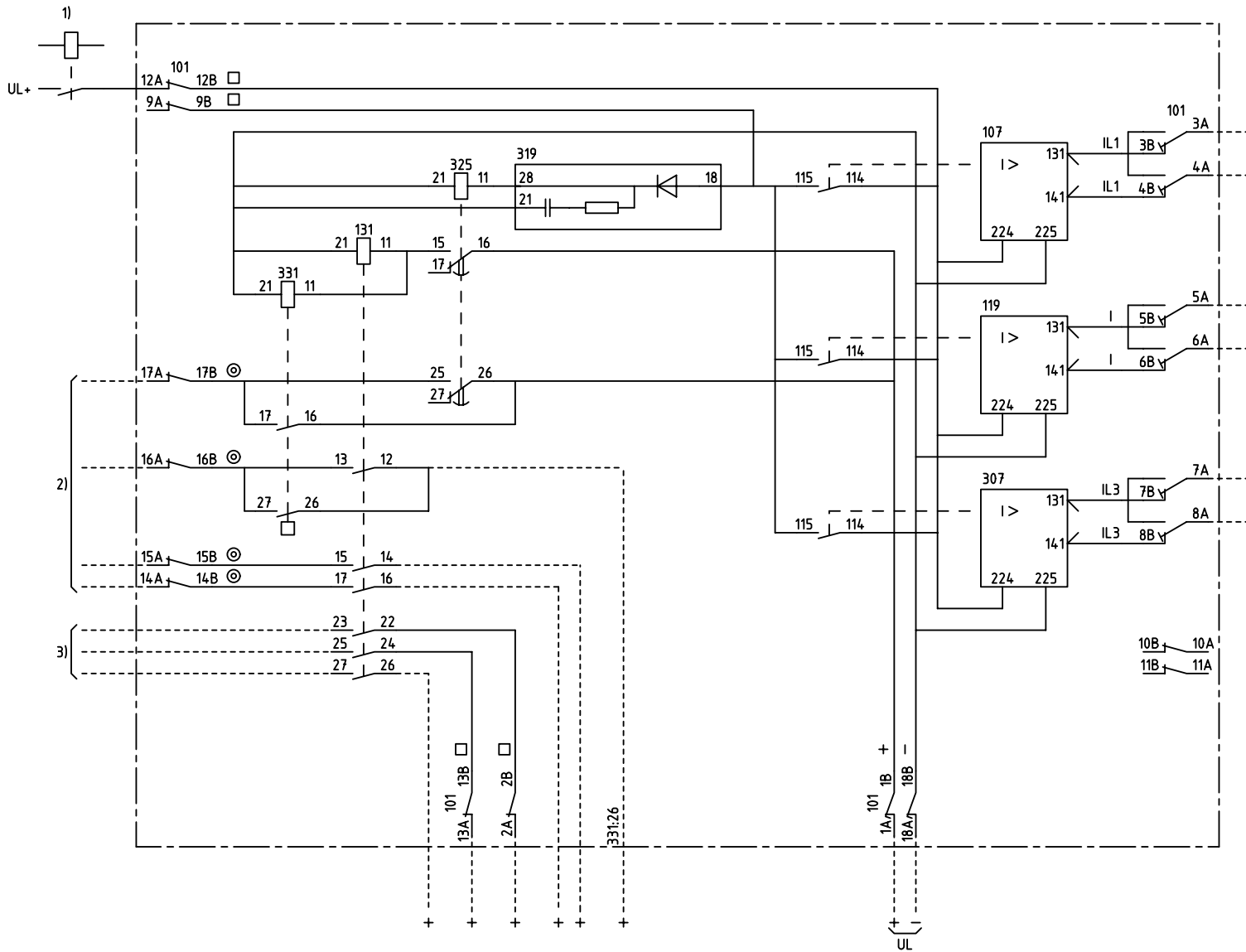
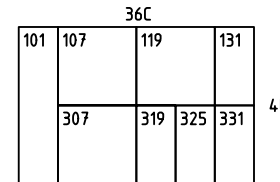


We reserve all rights in this document and in the information contained therein. Reproductions, use for other than intended purposes, or any other form of copying is strictly forbidden. © ABB Network Partner AB



BREAKER FAILURE PROTECTION WITH ONE TIME STEP, CURRENT DETECTORS IN 3 PHASES OR IN 2-PHASES + EARTH
BRYTARFELSSKYDD MED ETT TIDSSTEG, STRÖMRELÄER I TRE FASER ELLER I TVÅ FASER + JORD



101	107	119	131
307	319	325	331
101	RTXP 18		
107 119 307	RXIB 24		
131	RXMS 1		
319	RXTCB 1		
325	RXKL 1		
331	RXME 18		

- 1) TRIP RELAY IN ANOTHER PROTECTION
UTLÖSNINGSRELÄ I ANNAT SKYDD
- 2) TRIPPING OF BACK-UP CIRCUIT BREAKERS
UTLÖSNING AV RESERVBRYTARE
- 3) ALARM ETC.
SIGNAL M.M

ELCAD ID PAT/render

DATE 2004-06-22:06

RK 651 025-BA

Issued in ARCADE

Prepared 88.35 C-H EINVALL		CIRCUIT DIAGRAM/KRETSSHEMA			
Approved 88.35 P JENÄKER		RAICA BREAKER FAILURE PROTECTION			
		RAICA BRYTARFELSSKYDD		Resp dep PAT Rev ind 2 96.45 Lang 82	
Rev Ind	Revision	Reg No 7429	ABB ABB Network Partner AB		7429 0019-BA
Based on	Pcl 890.651				
					Cont